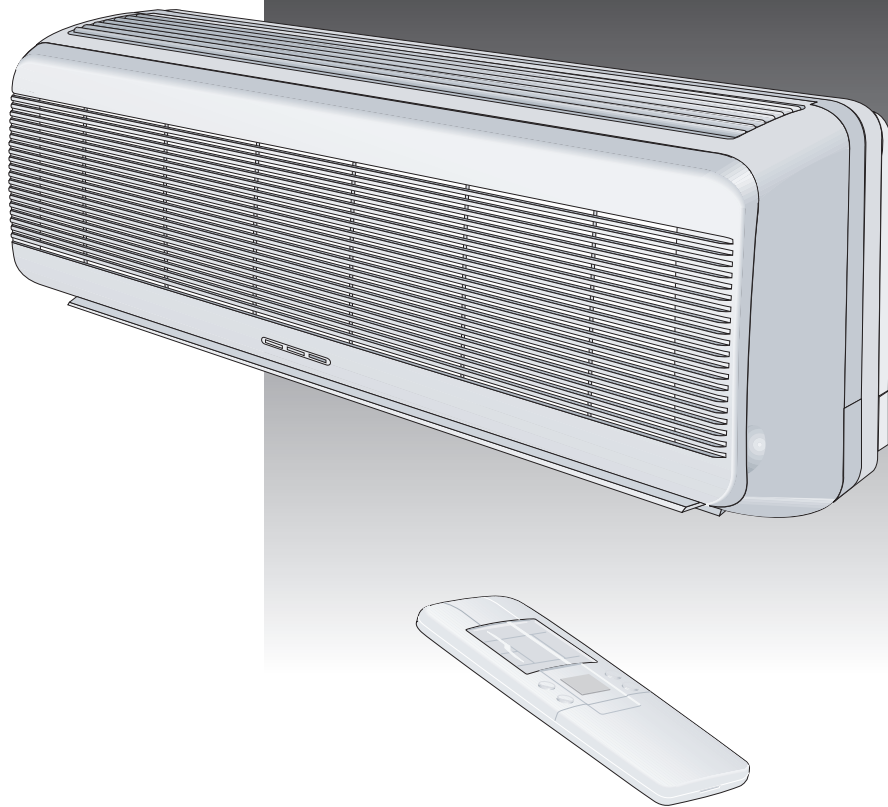


FAN COIL INSTALLATION BOOKLET



CONTENTS

FEATURES

Main components	1
Dimensions	2

INSTALLATION

Packing	
Unit installation	
Remote control accessory	3
Wiring diagrams	4

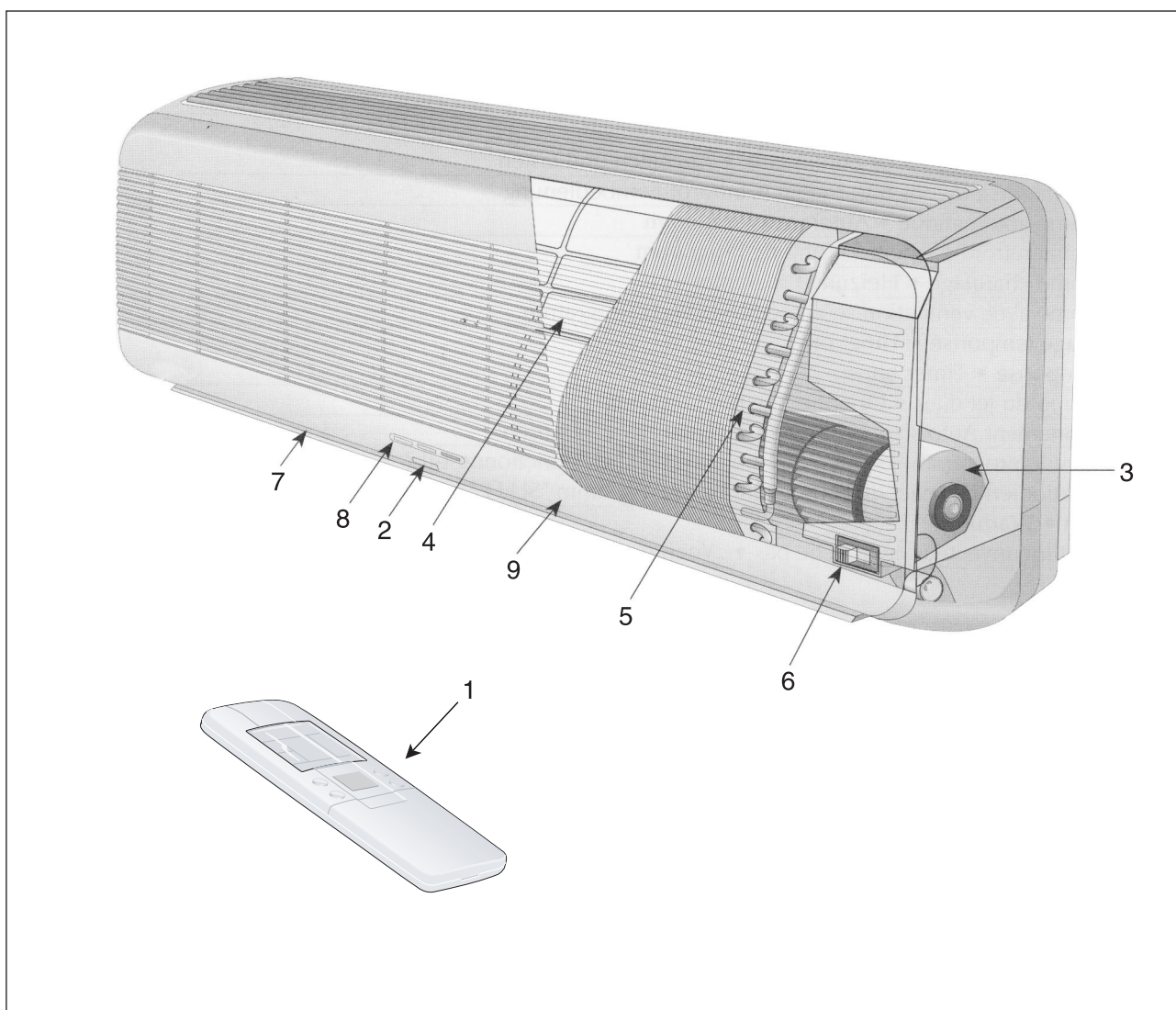
SAFETY MEASURES

Carriage	
Safety symbol	7

FEATURES

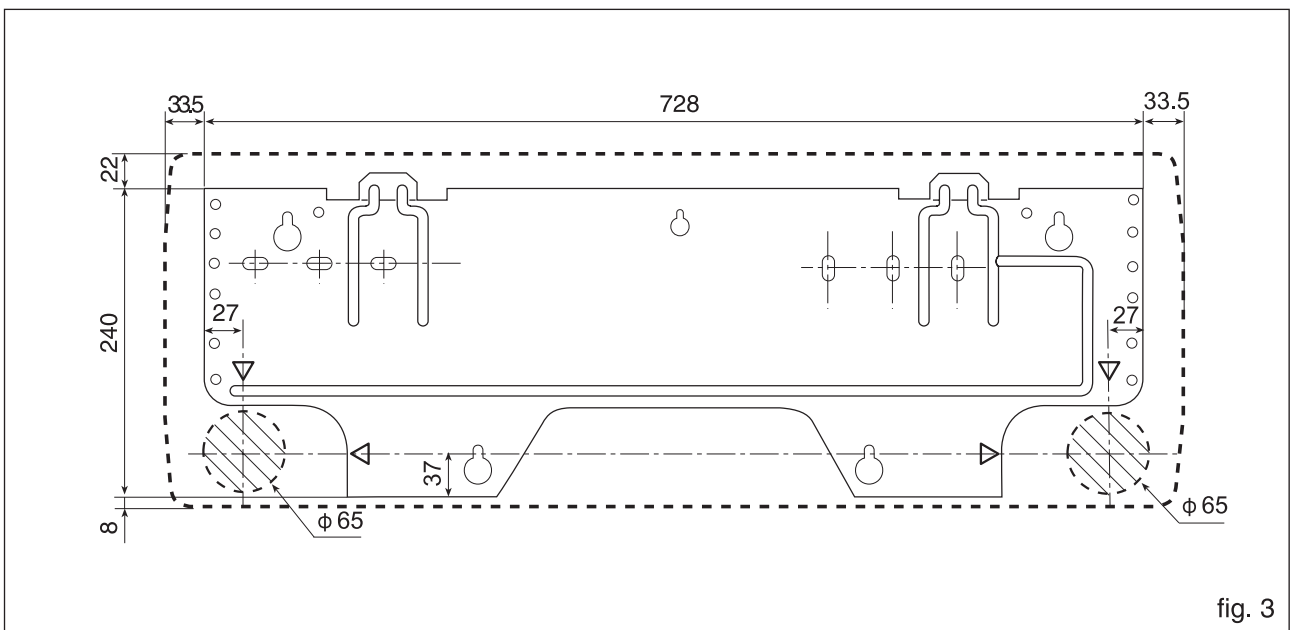
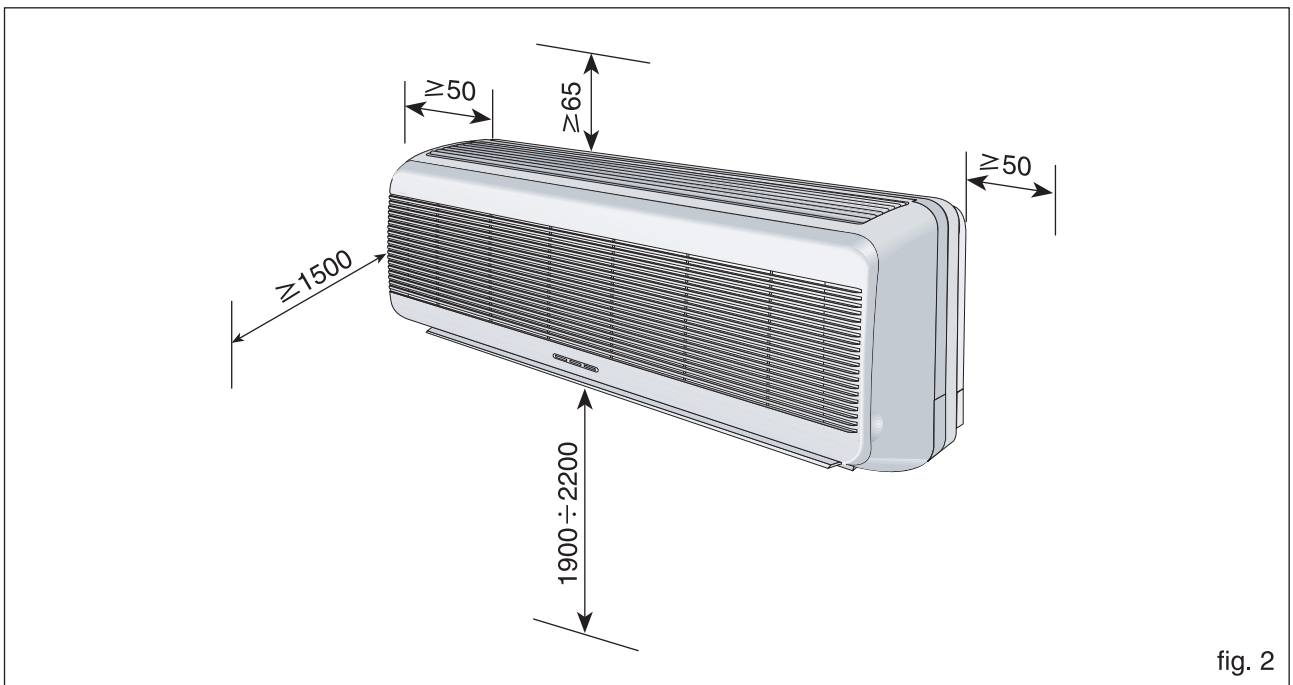
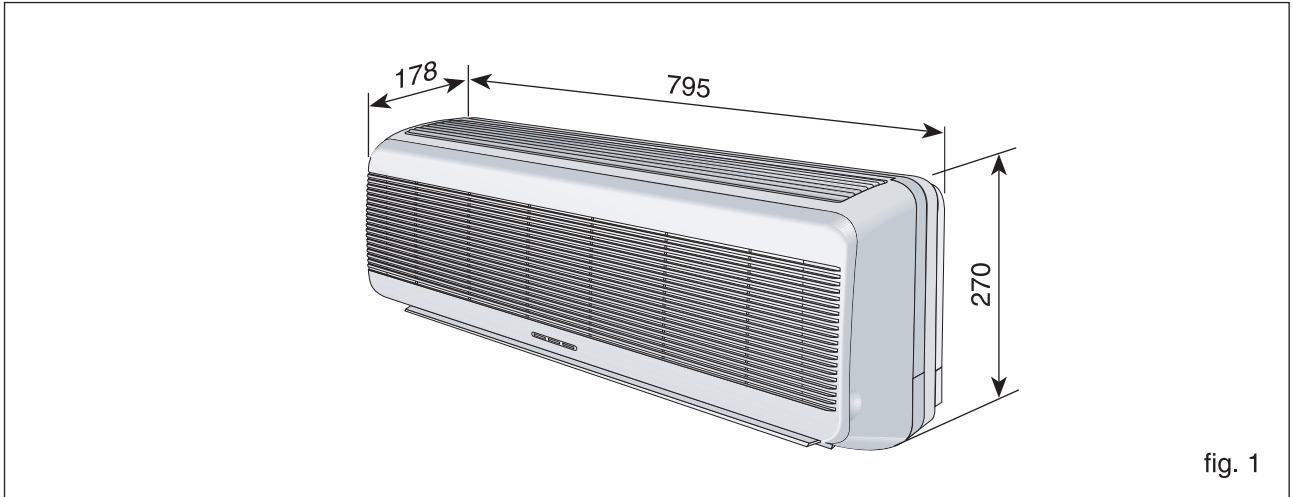
MAIN COMPONENTS

- 1 -Remote control
- 2 -Receiver
- 3 -Fan unit
- 4 -Air filter
- 5 -Heat exchanger coil
- 6 -On/Off switch
- 7 -Air delivery deflector
- 8 -Luminous indicators
- 9 -Shell



FEATURES

DIMENSIONS



INSTALLATION

PACKING

The units are shipped in cardboard box standard packing and polystyrene shells.

UNIT INSTALLATION

To be performed exclusively by qualified personnel.

This section specifies the procedures to ensure correct installation of the appliance.

However correct final set-up is left to the experience of the installer according to the specific requirements.

Caution: ensure that the power supply is disconnected before carrying out any operations.

The fan coil must be installed in a position that ensures air distribution to the entire room. Ensure that there are no obstacles (curtains or objects) to air transfer from the suction grille (fig. 2). The unit must also be positioned to facilitate routine maintenance (filter cleaning) and special maintenance. Access must also be left free to the air bleed valve on the heat exchanger coil at a height of 190 -220 cm.

fan coil power supply is 230 V ($\pm 10\%$) single phase at 50 Hz with earthing connection.

The unit must be connected directly to a power supply socket or independent circuit.

To protect against short-circuits, install a thermal-cut-out (0.5A 250V) on the power line.

The power supply cable must be rated H05 RN-F with synthetic rubber insulation and polychloroprene sheath in compliance with standards EEN 60335-2-40 and HD277.S1. For all connections refer to the wiring diagrams supplied with the appliance and specified in this documentation (fig. 4).

Maximum water supply temperature is 80°C, at 8 bar.

To avoid air stratification effects in the room and ensure improved mixing, do not exceed a fancoil water supply temperature of 70°C. Use of water at higher temperatures could cause "creaking" caused by various thermal expansion levels of unit elements (plastic and metal), although this does not damage the appliance if the maximum operating temperature is not exceeded.

Water connections on the unit are female \varnothing 1/2" G fittings; the external diameter of the condensate drain connector is \varnothing 16 mm.

Delivery and return lines must be copper and the same size with a minimum diameter of \varnothing 1/2", suitably insulated to prevent heat loss and dripping during operation in cooling mode.

The water, condensate drain and electrical circuit lines in walls must be laid prior to appliance installation. The minimum diameter of the through-hole for connections is 65 mm and pipelines must be laid to ensure sufficient gradient (min.1%), throughout the route to ensure drainage of the condensate formed during fancoil cooling operation mode.

The condensate drain line must be suitably sized; when connected to a sewage mains the installation of a siphon is recommended to avoid detection of unpleasant odours (fig. 9). The cable service outlet can be positioned to the right or left of the unit (fig. 3).

The support wall must be stable and not subject to vibrations.

Never install the appliance in the vicinity of heat sources, vapour or flammable gases.

Never install the appliance in an area exposed to direct sunlight.

To install the unit, proceed as follows:

a) Fit the template on the wall and secure using at least six screws or expansion plugs, suited to the wall type, via the holes around the edge of the template (fig. 3).

The template must be fitted snugly against the wall at right angles to the floor and perfectly horizontal. Failure to observe these specifications will cause water to drop from the collection tray.

b) The unit is designed with 6 connection configuration options (fig. 6).

For through-wall connections, drill a 65 mm diameter hole, with a downward angle of 5-10mm (fig. 5).

For connections to the side or base, if no recessed wall ducting is present, remove the pre-cut element of the casing aligned with the pipeline transfer outlet (fig. 10).

c) Make electrical connections as shown in fig. 7.

d) Make the hydraulic connections. Connection lines must be bent with a minimum curvature radius of 70 mm. Repeated bending of pipelines could cause damage.

e) Connect the condensate drain connector (\varnothing 16mm) to the drain line and ensure correct operation.

f) Ensure suitable pipeline insulation (fig. 11).

g) Attach the unit (fig. 8) to the template after passing the pipes through the hole or in the wall recesses. Ensure that the fan coil is positioned correctly vertically and horizontally.

h) On completion of all operations (electrical and hydraulic connections, fancoil mounting and condensate drain line connections) plug the hole in the wall with suitable filler material.

i) Bleed the coil by means of the specific valve.

h) Complete unit assembly taking care that residual material used for installation does not obstruct the fan, filters or grilles. After installation, test run the fancoil.

REMOTE CONTROL ACCESSORY

The remote control is supplied separately from the fan coil, as only one is needed to control also multiple fan coils.


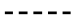
The accessory comprises a remote control unit, two batteries (1.5v type AAA), and a remote control support for a possible wall mounting with the two screws supplied.

The remote control support must be installed on the wall in an easily accessible location not exposed to heat sources, steam or direct sunlight.

INSTALLATION

WIRING DIAGRAMS

READING KEY

GI = Ion generator	SD = Water temperature sensor
F = Fuse	SW = Emergency push button
IG = Main switch	TR = Transformer
IL = On/Off switch	VS = Solenoid valve
IR = I.R. Receiver	 Components not supplied
LM = Deflector fins motor	 On-site wiring
M = Terminal board	BI = White
MV = Fan motor	BL = Blue
PE = Ground connection	MA = Brown
SA = Room sensor	NE = Black
SC = Electronic control board	RO = Red

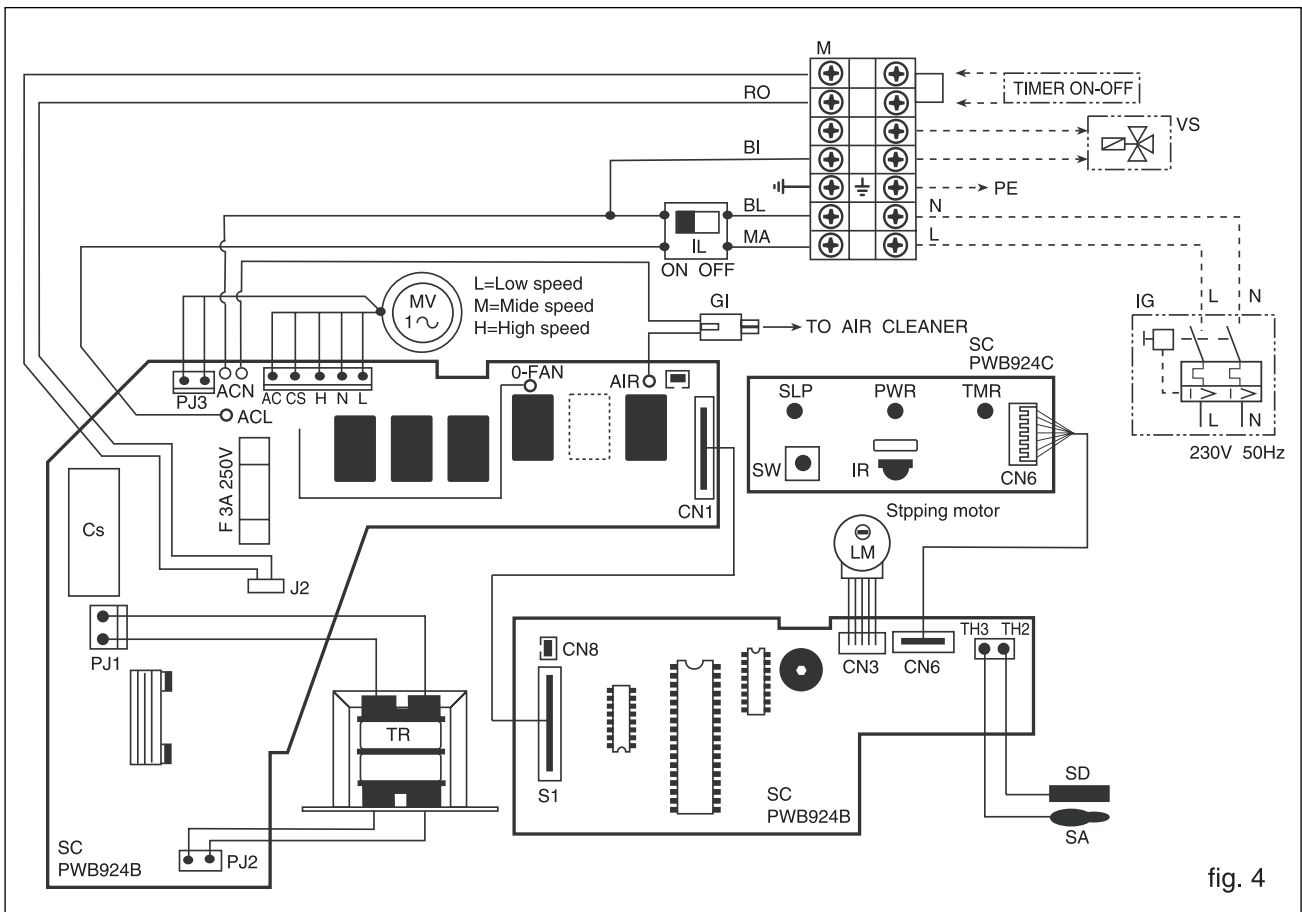
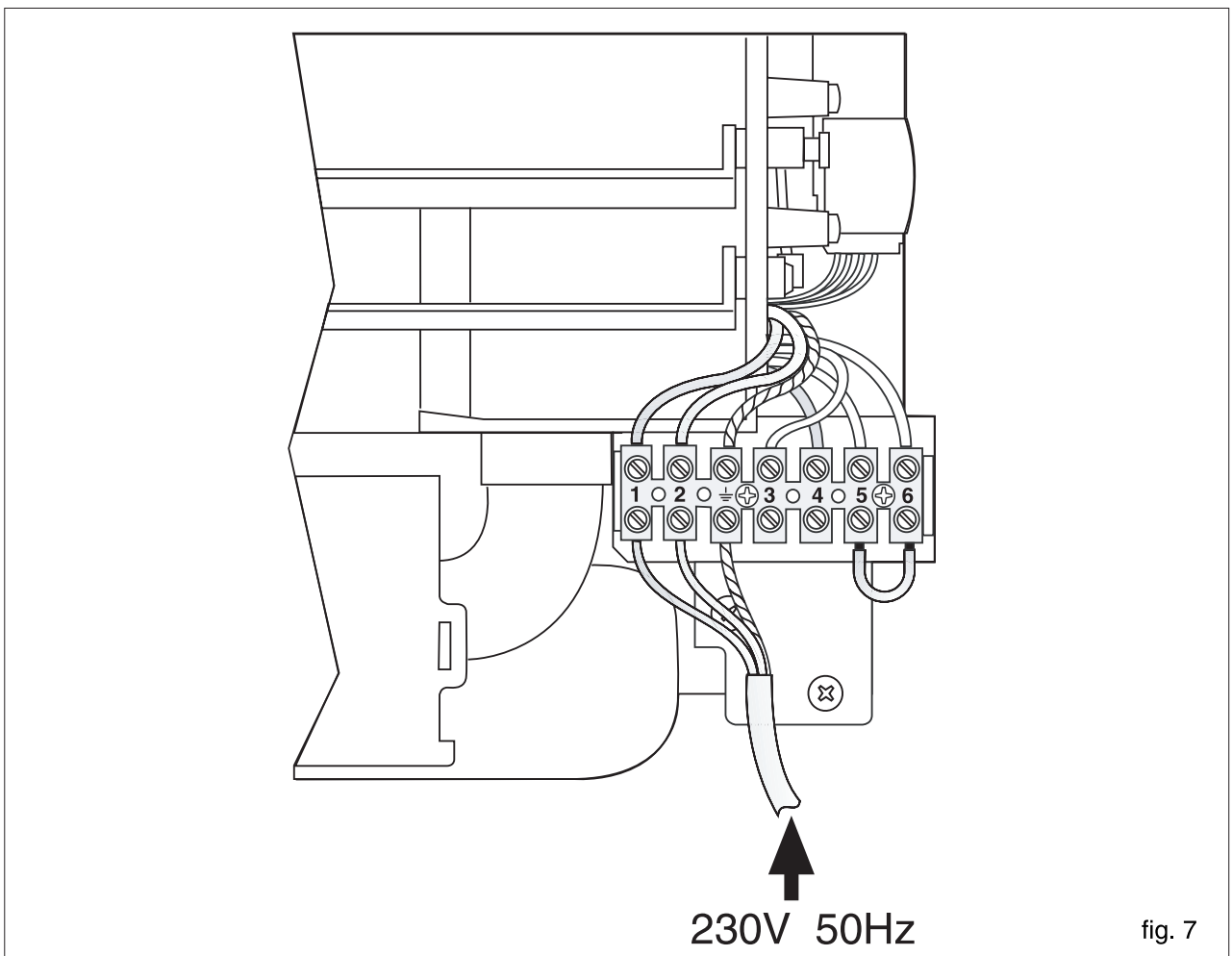
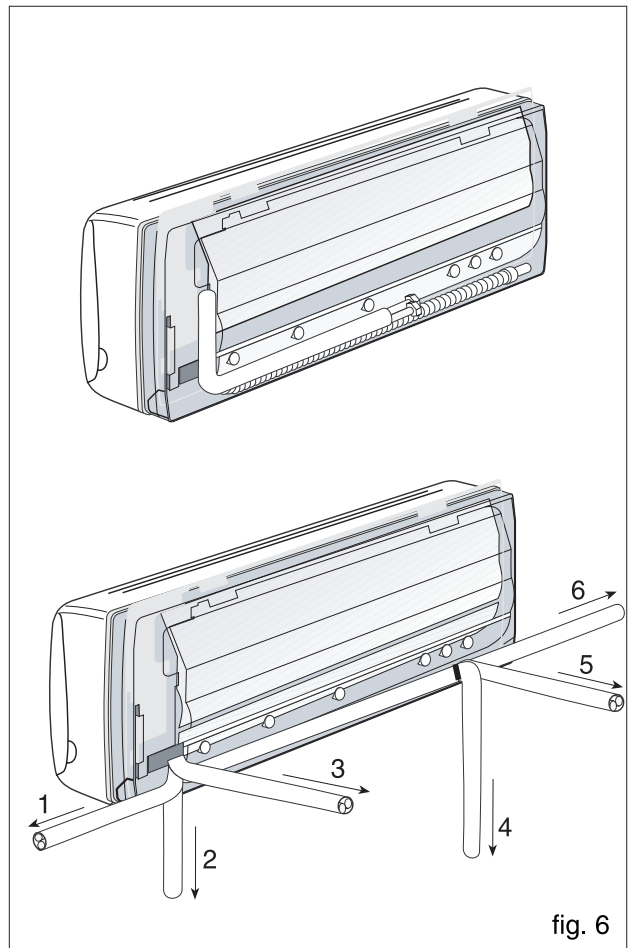
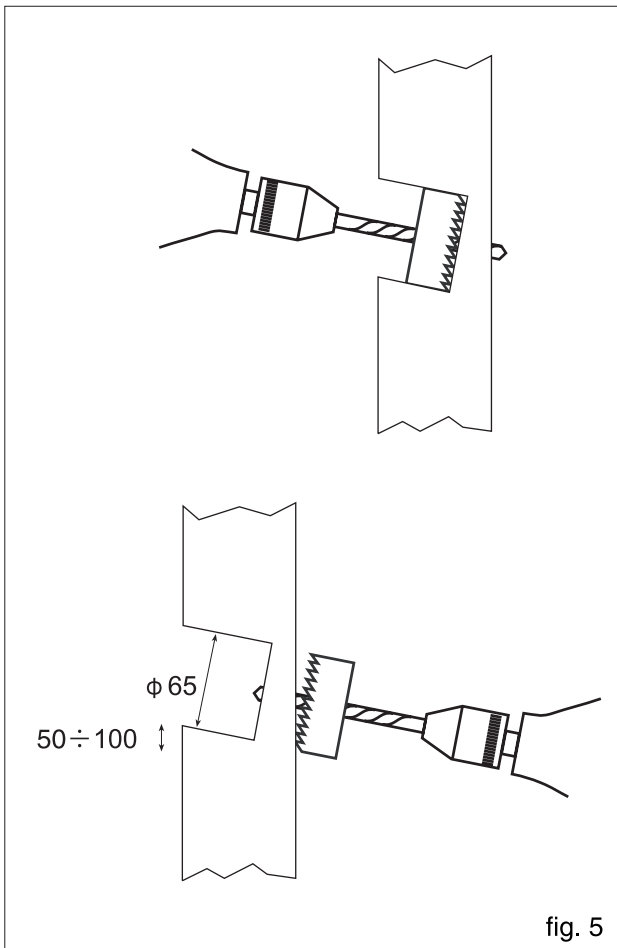


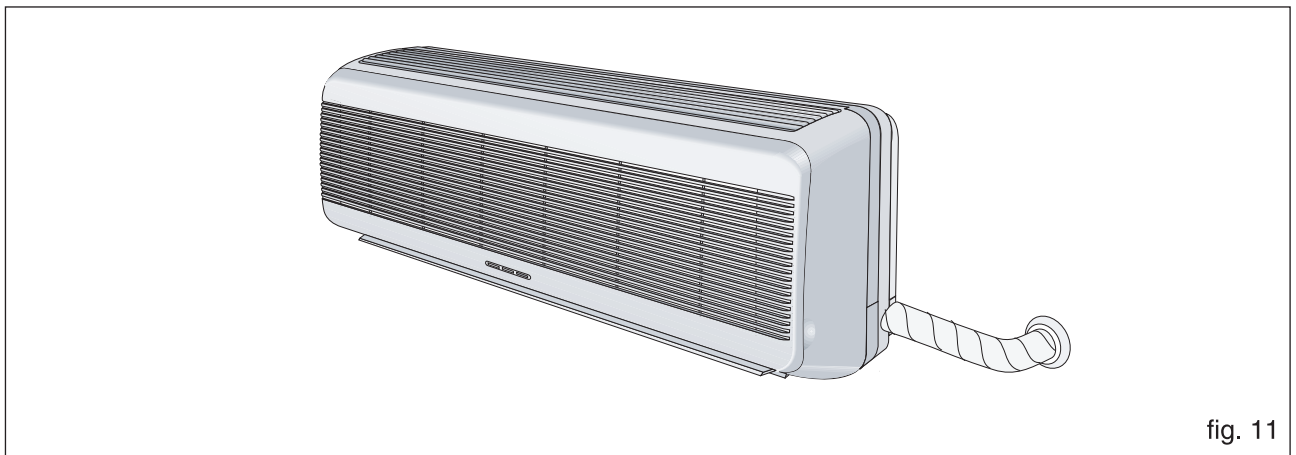
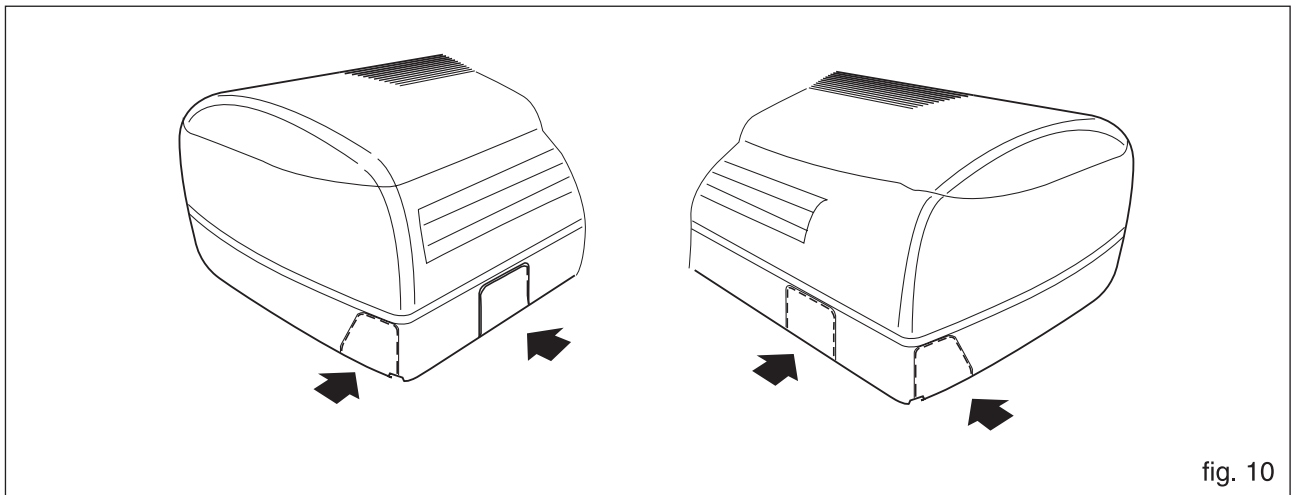
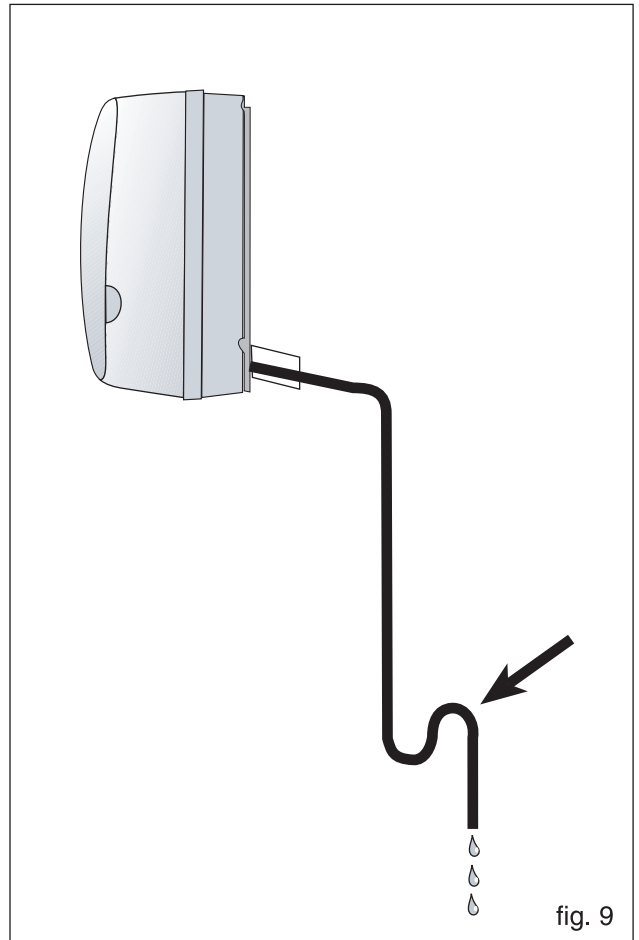
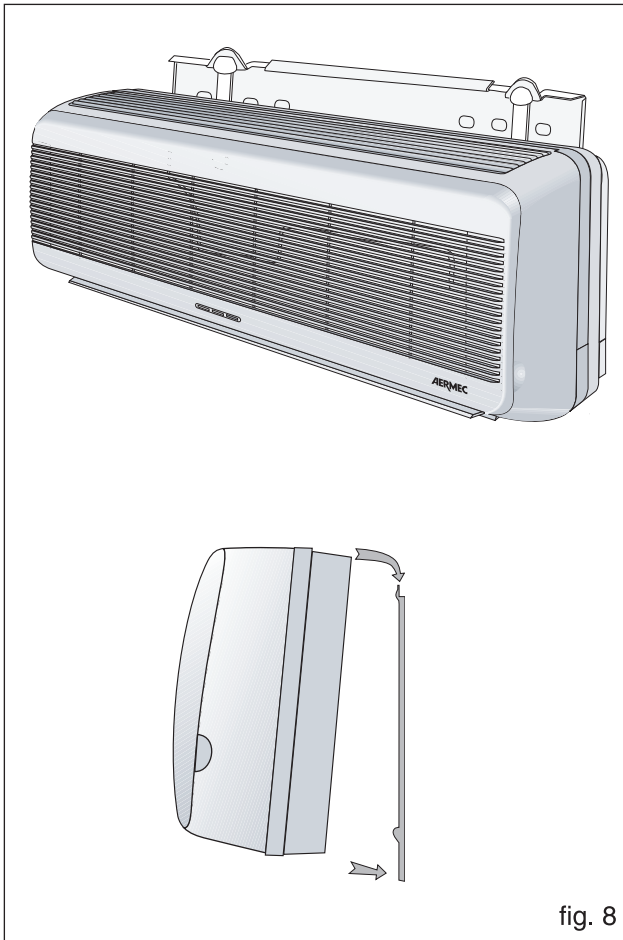
fig. 4

Note = To connect an ON-off timer, disconnect the bridge 5-6 and then connect the timer.

INSTALLATION



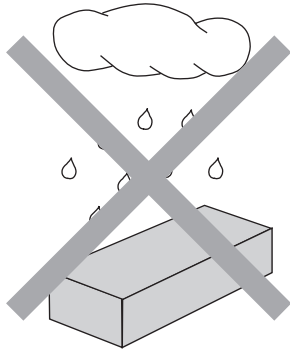
INSTALLATION



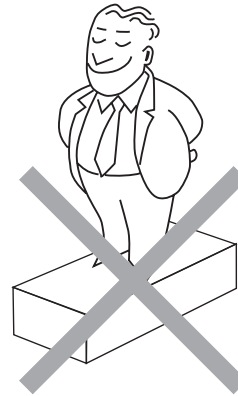
SAFETY MEASURES

CARRIAGE

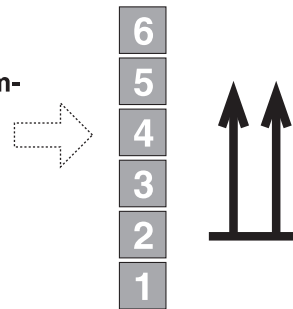
Do Not wet



Do Not trample

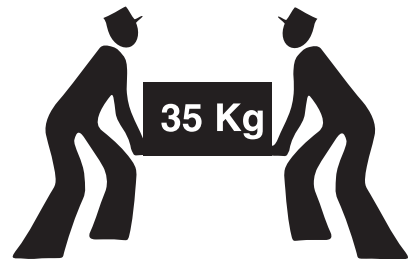


Stacking: control the packing for the arrow position to know the number of machines that can be stacked

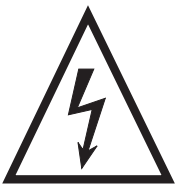


Do Not leave loose packages during transport

DO Not handle the machine alone if its weight is over 35 Kg.



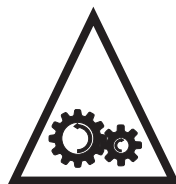
SAFETY SYMBOL



Danger:
Power supply



Danger:
Temperature



Danger:
Movings parts



Danger:
Disconnect power line



Danger!!!