

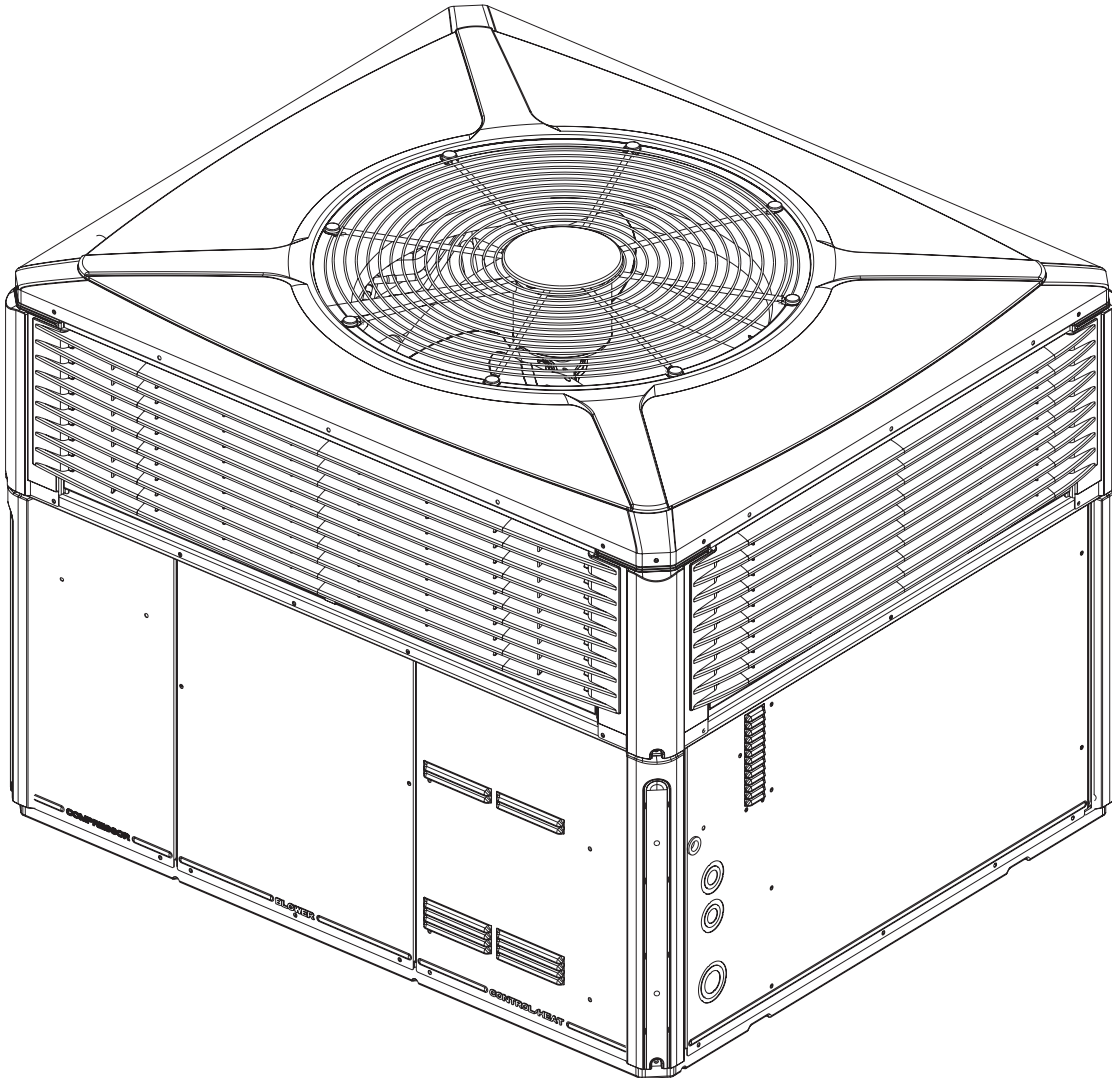


TRANE®

22-1796-15

Product Data

4TCY4024 through 4TCY4060
Single Packaged Convertible Cooling
14 SEER
2 - 5 Ton
R-410A



It's Hard to Stop a Trane.

Single Packaged Cooling System

Trane offers a complete family of cooling systems, designed to give you the unbeatable combination of energy efficiency and lower operating costs.

Introducing the new TRANE Single Packaged Cooling System.

Single Packaged Cooling Systems are easy and versatile to install. Because cooling and air handling functions are all contained in a single cabinet, a Trane packaged air conditioner is easy to install and service. It can be flush mounted beside your home at ground level or placed on the roof for horizontal or downflow installation. When connected to an optional Trane thermostat control, and air distribution ducts, you have a highly efficient, total home comfort system.

Single Packaged Cooling Systems provide

better performance. Our single packaged air conditioners offer cooling efficiencies that are unmatched in the industry and provide you with a product far superior in performance than the competition.

Contents

Optional Equipment Listing	4
<hr/>	
General Data	5
<hr/>	
Heater Data	8
<hr/>	
SPEK Data	9
<hr/>	
Performance Data	
<hr/>	
Indoor Fan	12
<hr/>	
Typical Wiring	15
<hr/>	
Optional Equipment	18
<hr/>	
Dimensional Data	23
<hr/>	
Mechanical Specifications	29
<hr/>	

Optional Equipment

OPTIONAL EQUIPMENT FOR PACKAGED UNITS (check mark [✓] indicates accessories included)

Hinged Filter Access Door (4TCY4024-036)	BAYACCDOR1A[]
Hinged Filter Access Door (4TCY4042-060)	BAYACCDOR2A[]
Roof Curb Full Perimeter (4TCY4024-36) ③	BAYCURB050A[]
Roof Curb Full Perimeter (4TCY4042-060) ③	BAYCURB051A[]
Roof Curb Utility Extension Kit (BAYCURB050A).....	BAYUTIL101B[]
Roof Curb Utility Extension Kit (BAYCURB051A).....	BAYUTIL102B[]
0-25% Manual Fresh Air Damper (4TCY4024-36) ①	BAYOSAH001A[]
0-25% Manual Fresh Air Damper (4TCY4042-060) ①	BAYOSAH002A[]
Motorized Fresh Air Damper (4TCY4024-36) ①	BAYDMPR101A[]
Motorized Fresh Air Damper (4TCY4042-060) ①	BAYDMPR102A[]
16" Round Duct Adapter (2 per box) (4TCY4024-36) ⑥	BAYSQRD001A[]
18" Round Duct Adapter (2 per box) (4TCY4024-060) ⑥	BAYSQRD002A[]
0-100% Mod Economizer w/Baro. Relief (4TCY4024-36) ②④	BAYECON101B[]
0-100% Mod. Economizer w/Baro. Relief (4TCY4042-060A) ①②④	BAYECON102B[]
0-100% Horizontal Economizer (4TCY4024-36) ①②	BAYECON200A[]
0-100% Horizontal Economizer (4TCY4042-060) ①②	BAYECON201A[]
Enthalpy Control for Economizer (solid state).....	BAYENTH001A[]
Remote Potentiometer (All-BAYECON***A)	BAYSTAT023[]
1"-2" Filter Frame (4TCY4024-36) (20 x 25 filter not included) ①	BAYFLTR101B[]
1"-2" Filter Frame (4TCY4042-060) (20 x 20 & 20 x18 filter not included) ①	BAYFLTR201B[]
Head Pressure Control (Low Ambient Cool) (208/240v) Kit ⑤	BAYLOAM105A[]
Quick Start Kit (4TCY4-†1).....	BAYSKT300A[]
Crankcase Heater Recip (4TCY4024-030†1 (230v) ⑤	BAYCCHT101A[]
Crankcase Heater Scroll (4TCY4042-060†1/3)(230v) ⑤	BAYCCHT102A[]
Crankcase Heater Scroll (4TCY4036†1/3)(230v) ⑤	BAYCCHT103A[]
Adapter Curb 4TCY4024-36 to BAYCURB030,38	BAYADAP050A[]
Adapter Curb 4TCY4024-36 to BAYCURB033.....	BAYADAP051A[]
Adapter Curb 4TCY4042-060 to BAYCURB030,38.....	BAYADAP052A[]
Adapter Curb 4TCY4042-060 to BAYCURB033.....	BAYADAP053A[]
Adapter Curb 4TCY4042-060 to BAYCURB034.....	BAYADAP054A[]
12" Duct Shroud Covers Horizontal 4TCY4024-060⑦.....	BAYCOVR112A[]
18" Duct Shroud Covers Horizontal 4TCY4024-060 ⑦	BAYCOVR118A[]
Extreme Condition Mounting Kit - All BAYCURB & BAYADAP	BAYEXMK001A[]
Extreme Condition Mounting Kit - All BAYUTIL	BAYEXMK002B[]
Extreme Condition Mounting Kit - All Slab Mounts.....	BAYEXMK003A[]
Lifting Lug Kit.....	BAYLIFT002B[]
SUPPLEMENTARY HEATERS (1 PHASE)	
3.76/5.0 KW Heater (208/240V 1PH) (4TCY4024-060†1)	BAYHTRV105E[]
3.76/5.0 KW Heater (208/240V 1PH) (4TCY4024-060†1)	BAYHTRV108E[]
7.50/10.0 KW Heater (208/240V 1PH) (4TCY4024-060†1)	BAYHTRV110E[]
11.27/15.00 KW Heater (208/240V 1PH) (4TCY4030-060†1)	BAYHTRV115E[]
15.0/20.0 KW Heater (208/240V 1PH) (*4TCY4042-060†1).....	BAYHTRV120E[]
18.78/25.0 KW Heater (208/240V 1PH) (4TCY4042-060†1).....	BAYHTRV125E[]
SUPPLEMENTARY HEATERS (3 PHASE)	
3.76/5.0 KW Heater (208/240V 3PH) (4TCY4036-060†3)	BAYHTRV305E[]
3.76/5.0 KW Heater (208/240V 3PH) (4TCY4036-060†3)	BAYHTRV308E[]
7.50/10.0 KW Heater (208/240V 3PH) (4TCY4024-48†3)	BAYHTRV310E[]
11.27/15.00 KW Heater (208/240V 3PH) (4TCY4036-060†3)	BAYHTRV315E[]
15.00/20.0 KW Heater (208/240V 3PH) (4TCY4048-060†3)	BAYHTRV320E[]
18.78/25.0 KW Heater (208/240V 3PH) (4TCY4048-060†3).....	BAYHTRV325E[]
Single Power Entry Kit ⑧	BAYSPEK060F[]
Single Power Entry Kit ⑧	BAYSPEK061E[]
Single Power Entry Kit ⑧	BAYSPEK062F[]
Single Power Entry Kit ⑧	BAYSPEK063F[]
Single Power Entry Kit ⑧	BAYSPEK064E[]
Single Power Entry Kit ⑧	BAYSPEK065E[]

- NOTES: ① Must use internal filter frame when economizer or fresh air kit is used.
 ② Dry bulb control standard with economizer.
 ③ Ships knocked down.
 ④ Downflow only.
 ⑤ Low Ambient cooling requires crankcase heater (BAYCCHT---B).
 ⑥ It is the responsibility of the installing dealer to properly size the ductwork for each specific application.
 ⑦ BAYCOVR112,118A will not cover BAYSQRD002A applications.
 ⑧ See table on page 8 for matching kit with units and heaters.
 † = A or B

General Data

MODEL	4TCY4024A1000B	4TCY4030A1000B	4TCY4036B1000B
RATED Volts/Ph/Hz	208-230/1/60	208-230/1/60	208-230/1/60
Performance Cooling BTUH^①	23400	30000	38000
Indoor Airflow (CFM)	780	900	1195
Power Input (KW)	1.99	2.5	3.17
EER/SEER (BTU/Watt-Hr.) ^②	12 / 14.0	12.0 / 14.0	12.0 / 14.2
Sound Power Rating [dB(A)] ^②	68	71	69
POWER CONN. — V/Ph/Hz	208-230/1/60	208-230/1/60	208-230/1/60
Min. Brch. Cir. Ampacity ^③	16.5	19.1	26.3
Fuse Size — Max. (amps)	25	30	40
Fuse Size — Recmd. (amps)	25	30	40
COMPRESSOR	RECIPROCATING	RECIPROCATING	SCROLL
Volts/Ph/Hz	200-230/1/60	208-230/1/60	208-230/1/60
R.L. Amps — I.R. Amps	8.3 / 57.8	11.1 / 63	16.7 / 69
OUTDOOR COIL — TYPE	SPINE-FIN	SPINE-FIN	SPINE-FIN
Rows/F.P.I.	2 / 24	2 / 24	2 / 24
Face Area (sq.ft.)	13.32	13.32	15.49
Tube Size (in.)	3/8	3/8	3/8
INDOOR COIL — TYPE	PLATE FIN	PLATE FIN	PLATE FIN
Rows/F.P.I.	3 / 15	3 / 15	4 / 15
Face Area (sq.ft.)	3.54	3.54	3.54
Tube Size (in.)	3/8	3/8	3/8
Refrigerant Control	EXPANSION VALVE	EXPANSION VALVE	EXPANSION VALVE
Drain Conn. Size (in.)	3/4 FEMALE NPT	3/4 FEMALE NPT	3/4 FEMALE NPT
OUTDOOR FAN — TYPE	PROPELLER	PROPELLER	PROPELLER
Dia. (in.)	23.4	23.4	23.4
Drive/No. Speeds	DIRECT / 1	DIRECT / 1	DIRECT / 1
CFM @ 0.0 in. w.g. ^④	2560	2550	3300
Motor — HP/R.P.M.	1/12 / 810	1/6 / 830	1/5 / 830
Volts/Ph/Hz	230/1/60	208-230/1/60	230/1/60
EL Amps/L.R. Amps	0.54 / 0.95	0.9 / 1.7	1.1 / 1.9
INDOOR FAN — TYPE	CENTRIFUGAL	CENTRIFUGAL	CENTRIFUGAL
Dia x Width (in.)	10 X 10	10 X 10	10 X 10
Drive/No. Speeds	DIRECT / VARIABLE	DIRECT / VARIABLE	DIRECT / VARIABLE
CFM @ 0.0 in. w.g. ^⑤	SEE FAN PERFORMANCE TABLE	SEE FAN PERFORMANCE TABLE	SEE FAN PERFORMANCE TABLE
Motor — HP/R.P.M.	1/2 / VARIABLE	1/2 / VARIABLE	1/2 / VARIABLE
Volts/Ph/Hz	200-230/1/60	208-230/1/60	200-230/1/60
EL Amps/L.R. Amps	4.3 / 4.3	4.3 / 4.3	4.3 / 4.3
FILTER / FURNISHED	NO	NO	NO
Type Recommended	THROWAWAY	THROWAWAY	THROWAWAY
Recmd. Face Area (sq. ft.) ^⑦	4.0	4.0	4
REFRIGERANT	R410A	R410A	R410A
Charge (lbs.)	6.0	6.30	7.80
DIMENSIONS	H X W X L	H X W X L	H X W X L
Crated (in.)	45.86 / 44.5 / 52.03	45.86 / 44.5 / 52.03	47.86 / 44.5 / 52.03
WEIGHT			
Shipping (lbs.) / Net (lbs.)	444 / 348	444 / 348	450 / 354

① Rated in accordance with AHRI Standard 210/240.

② Sound Power values are not adjusted for ARI 270-95 tonal corrections.

③ Calculated in accordance with currently prevailing Nat'l Electrical Code.

④ Standard Air — Dry Coil — Outdoor.

⑤ Standard Air — Wet Coil — Indoor.

⑥ Rated in accordance with D.O.E. test procedure.

⑦ Filters must be installed in return air system. Square footages listed are based on 300 f.p.m. face velocity. If permanent filters are used size per manufacturer's recommendations with clean resistance of 0.05" W.C.

General Data

MODEL	4TCY4036B3000A	4TCY4042B1000B	4TCY4048B1000B
RATED Volts/Ph/Hz	208-230/3/60	208-230/1/60	208-230/1/60
Performance Cooling BTUH^①	37000	42000	48500
Indoor Airflow (CFM)	1195	1420	1605
Power Input (KW)	3.17	3.5	4.041
EER/SEER (BTU/Watt-Hr.) ^⑥	12.0 / 14.2	12.0 / 14.25	12 / 14.2
Sound Power Rating [dB(A)] ^②	69	74	72
POWER CONN.—V/Ph/Hz	208-230/3/60	208-230/1/60	208-230/1/60
Min. Brch. Cir. Ampacity ^③	18.4	30.7	35.5
Fuse Size — Max. (amps)	25	45	50
Fuse Size — Recmd. (amps)	25	45	50
COMPRESSOR	SCROLL	SCROLL	SCROLL
Volts/Ph/Hz	208-230/3/60	208-230/1/60	208-230/1/60
R.L. Amps — L.R. Amps	10.4 / 73	17.9 / 112	21.8 / 117
OUTDOOR COIL — TYPE	SPINE-FIN	SPINE-FIN	SPINE-FIN
Rows/F.P.I.	2 / 24	2 / 24	2 / 24
Face Area (sq.ft.)	15.49	18.01	18.01
Tube Size (in.)	3/8	3/8	3/8
INDOOR COIL — TYPE	PLATE FIN	PLATE FIN	PLATE FIN
Rows/F.P.I.	4 / 15	3 / 15	3 / 15
Face Area (sq.ft.)	3.54	5	5.0
Tube Size (in.)	3/8	3/8	3/8
Refrigerant Control	EXPANSION VALVE	EXPANSION VALVE	EXPANSION VALVE
Drain Conn. Size (in.)	3/4 FEMALE NPT	3/4 FEMALE NPT	3/4 FEMALE NPT
OUTDOOR FAN — TYPE	PROPELLER	PROPELLER	PROPELLER
Dia. (in.)	23.4	28.2	28.2
Drive/No. Speeds	DIRECT / 1	DIRECT / 1	DIRECT / 1
CFM @ 0.0 in. w.g. ^④	3260	4460	4460
Motor — HP/R.P.M.	1/5 / 830	1/4 / 825	1/4 / 825
Volts/Ph/Hz	230/1/60	208-230/1/60	230/1/60
F.L. Amps/L.R. Amps	1.1 / 1.9	1.4 / 3.4	1.4 / 3.37
INDOOR FAN — TYPE	CENTRIFUGAL	CENTRIFUGAL	CENTRIFUGAL
Dia x Width (in.)	10 X 10	11 X 10	10 X 10
Drive/No. Speeds	DIRECT / VARIABLE	DIRECT / VARIABLE	DIRECT / VARIABLE
CFM @ 0.0 in. w.g. ^⑤	SEE FAN PERFORMANCE TABLE	SEE FAN PERFORMANCE TABLE	SEE FAN PERFORMANCE TABLE
Motor — HP/R.P.M.	1/2 / VARIABLE	3/4 / VARIABLE	3/4 / VARIABLE
Volts/Ph/Hz	200-230/1/60	208-230/1/60	200-230/1/60
F.L. Amps/L.R. Amps	4.3 / 4.3	6.8 / 6.8	6.8 / 6.8
FILTER / FURNISHED	NO	NO	NO
Type Recommended	THROWAWAY	THROWAWAY	THROWAWAY
Recmd. Face Area (sq. ft.) ^⑦	4	5.3	5.3
REFRIGERANT	R410A	R410A	R410A
Charge (lbs.)	7.80	7.00	8.30
DIMENSIONS	H X W X L	H X W X L	H X W X L
Crated (in.)	47.86 / 44.5 / 52.03	47.86 / 47.4 / 61.75	47.86 / 47.4 / 61.75
WEIGHT			
Shipping (lbs.) / Net (lbs.)	450 / 354	607 / 479	623 / 495

① Rated in accordance with AHRI Standard 210/240.

② Sound Power values are not adjusted for AHRI 270-95 tonal corrections.

③ Calculated in accordance with currently prevailing Nat'l Electrical Code.

④ Standard Air — Dry Coil — Outdoor.

⑤ Standard Air — Wet Coil — Indoor.

⑥ Rated in accordance with D.O.E. test procedure.

⑦ Filters must be installed in return air system. Square footages listed are based on 300 f.p.m. face velocity. If permanent filters are used size per manufacturer's recommendations with clean resistance of 0.05" W.C.

General Data

MODEL	4TCY4048B3000A	4TCY4060A1000B	4TCY4060A3000B
RATED Volts/Ph/Hz	208-230/3/60	208-230/1/60	208-230/3/60
Performance Cooling BTUH^①	48500	60000	60000
Indoor Airflow (CFM)	1605	1800	1800
Power Input (KW)	4.041	4.93	4.93
EER/SEER (BTU/Watt-Hr.) ^⑥	12.0 / 14.2	12.0 / 14.0	12.0 / 14.0
Sound Power Rating [dB(A)] ^②	72	76	76
POWER CONN.—V/Ph/Hz	208-230/3/60	208-230/1/60	208-230/3/60
Min. Brch. Cir. Ampacity ^③	25.3	41.6	28.6
Fuse Size — Max. (amps)	35	60	40
Fuse Size — Recmd. (amps)	35	60	40
COMPRESSOR	SCROLL	SCROLL	SCROLL
Volts/Ph/Hz	208-230/3/60	208-230/1/60	208-230/3/60
R.L. Amps — L.R. Amps	13.7 / 83.1	26.4 / 134	16.0 / 110
OUTDOOR COIL — TYPE	SPINE-FIN	SPINE-FIN	SPINE-FIN
Rows/F.P.I.	2 / 24	2 / 24	2 / 24
Face Area (sq.ft.)	18.01	23.57	23.57
Tube Size (in.)	3/8	3/8	3/8
INDOOR COIL — TYPE	PLATE FIN	PLATE FIN	PLATE FIN
Rows/F.P.I.	3 / 15	4 / 15	4 / 15
Face Area (sq.ft.)	5.0	5.0	5.0
Tube Size (in.)	3/8	3/8	3/8
Refrigerant Control	EXPANSION VALVE	EXPANSION VALVE	EXPANSION VALVE
Drain Conn. Size (in.)	3/4 FEMALE NPT	3/4 FEMALE NPT	3/4 FEMALE NPT
OUTDOOR FAN — TYPE	PROPELLER	PROPELLER	PROPELLER
Dia. (in.)	28.2	28.2	28.2
Drive/No. Speeds	DIRECT / 1	DIRECT / 1	DIRECT / 1
CFM @ 0.0 in. w.g. ^④	4460	5720	5720
Motor — HP/R.P.M.	1/4 / 825	1/3 / 825	1/3 / 825
Volts/Ph/Hz	230/1/60	230/1/60	230/1/60
E.L. Amps/L.R. Amps	1.4 / 3.37	1.7 / 3.5	1.7 / 3.5
INDOOR FAN — TYPE	CENTRIFUGAL	CENTRIFUGAL	CENTRIFUGAL
Dia x Width (in.)	10 X 10	11 X 10	11 X 10
Drive/No. Speeds	DIRECT / VARIABLE	DIRECT / VARIABLE	DIRECT / VARIABLE
CFM @ 0.0 in. w.g. ^⑤	SEE FAN PERFORMANCE TABLE	SEE FAN PERFORMANCE TABLE	SEE FAN PERFORMANCE TABLE
Motor — HP/R.P.M.	3/4 / VARIABLE	1 / VARIABLE	1 / VARIABLE
Volts/Ph/Hz	200-230/1/60	208-230/1/60	208-230/1/60
E.L. Amps/L.R. Amps	6.8 / 6.8	6.9 / 6.9	6.9 / 6.9
FILTER / FURNISHED	NO	NO	NO
Type Recommended	THROWAWAY	THROWAWAY	THROWAWAY
Recmd. Face Area (sq. ft.) ^⑦	5.3	5.3	5.3
REFRIGERANT	R410A	R410A	R410A
Charge (lbs.)	8.30	10.10	10.10
DIMENSIONS	H X W X L	H X W X L	H X W X L
Crated (in.)	47.86 / 47.4 / 61.75	51.86 / 47.4 / 61.75	51.86 / 47.4 / 61.75
WEIGHT			
Shipping (lbs.) / Net (lbs.)	607 / 479	612 / 484	612 / 484

① Rated in accordance with AHRI Standard 210/240.

② Sound Power values are not adjusted for AHRI 270-95 tonal corrections.

③ Calculated in accordance with currently prevailing Nat'l Electrical Code.

④ Standard Air — Dry Coil — Outdoor.

⑤ Standard Air — Wet Coil — Indoor.

⑥ Rated in accordance with D.O.E. test procedure.

⑦ Filters must be installed in return air system. Square footages listed are based on 300 f.p.m. face velocity. If permanent filters are used size per manufacturer's recommendations with clean resistance of 0.05" W.C.

Heater Data

4TCY4024 to 4TCY4060 Heater Data

UNIT MODEL	ELECTRIC HEATER MODEL	RATED VOLTAGE	PHASE	AMPS	HEATER CAPACITY		NO. OF STAGES	KW/STAGE		MCA	MAX FUSE OR HACR CKT BKR SIZE (4)	CANADA ONLY MAX. CKT BKR SIZE (5)
					KW	BTUH		1	2			
^W/TC*3018-060†1 ^W/TCY4024-060†1 ^WCZ6036-060†1	BAYHTRV105E	208/240	1	18/21	3.76/5.0	12800/17100	1	3.76/5.0		23/26	25/30	25/30
^W/TC*3018-060†1 ^W/TCY4024-060†1 ^WCZ6036-060†1	BAYHTRV108E	208/240	1	29/33	6.0/8.0	20500/27300	1	6.0/8.0		36/41	40/45	40/45
^W/TC*3024-060†1 ^W/TCY4024-060†1 ^WCZ6036-060†1	BAYHTRV110E	208/240	1	36/42	7.5/10.0	25600/34100	1	7.5/10.0		45/52	45/60	45/60
^W/TC*3030-060†1 ^W/TCY4030-060†1 ^WCZ6036-060†1	BAYHTRV115E#	208/240	1	54/63	11.27/15.0	38500/51200	2	7.5/10.0	3.76/5.0	68/78	70/80	70/80
^W/TC*3042-060†1 ^W/TCY4042-060†1 ^WCZ6048-060†1	BAYHTRV120E#	208/240	1	72/83	15.0/20.0	51200/68300	2	7.5/10.0	7.5/10.0	90/104	90/110	90/110
4WC*3042†1 ^W/TC*3060†1 ^W/TCY4042-060†1 ^WCZ6048-060†1	BAYHTRV125E#	208/240	1	90/104	18.78/25.0	64100/85300	2	11.26/15.0	7.5/10.0	113/130	125/150	125/150
^W/TC*3036-060†3 ^W/TCY4036-060†3 ^WCZ6036-060†3	BAYHTRV305E	208/240	3	10/12	3.76/5.0	12800/17100	1	3.76/5.0		13/15	15/15	15/15
^W/TC*3036-060†3 ^W/TCY4036-060†3 ^WCZ6036-060†3	BAYHTRV308E	208/240	3	17/19	6.0/8.0	20500/27300	1	6.0/8.0		21/24	25/25	25/25
^W/TC*3036-060†3 ^W/TCY4036-060†3 ^WCZ6036-060†3	BAYHTRV310E	208/240	3	21/24	7.5/10.0	25600/34100	1	7.5/10.0		26/30	30/30	30/30
^W/TC*3036-060†3 ^W/TCY4036-060†3 ^WCZ6036-060†3	BAYHTRV315E	208/240	3	31/36	11.27/15.0	38500/51200	2	7.5/10.0	3.76/5.0	39/45	40/45	40/45
^W/TC*3048-060†3 ^W/TCY4048-060†3 ^WCZ6048-060†3	BAYHTRV320E	208/240	3	42/48	15.0/20.0	51200/68300	2	7.5/10.0	7.5/10.0	52/60	60/60	60/60
^W/TC*3060†3 ^W/TCY4048-060†3 ^WCZ6048-060†3	BAYHTRV325E#	208/240	3	52/60	18.78/25.0	64100/85300	2	11.26/15.0	7.5/10.0	65/75	70/80	70/80
^W/TC*3036-060†4 ^WCZ6036-060†4	BAYHTRV405E	480	3	6	5.0	17100	1	5.0		8	15	15
^W/TC*3036-060†4 ^WCZ6036-060†4	BAYHTRV408E	480	3	10	8.0	27300	1	8.0		13	15	15
^W/TC*3036-060†4 ^WCZ6036-060†4	BAYHTRV410E	480	3	12	10.0	34100	1	10.0		15	15	15
^W/TC*3036-060†4 ^WCZ6036-060†4	BAYHTRV415E	480	3	18	15.0	51200	2	10.0	5.0	23	25	25
^W/TC*3048-060†4 ^WCZ6048-060†4	BAYHTRV420E	480	3	24	20.0	68300	2	10.0	10.0	30	30	30
^W/TC*3060†4 ^WCZ6048-060†4	BAYHTRV425E	480	3	30	25.0	85300	2	15.0	10.0	38	40	40

General Table Notes:

Any power supply and circuits must be wired and protected in accordance with local electrical codes.

② The MCA values listed are for electric heater only.

Field wire must be rated at least 75°C

④ The HACR circuit breaker is for U.S.A. installations only.

⑤ For Canada installation reference only.

Heater uses fuses.

Unit Model Notes:

^ = 2 or 4

* = C or X

† = A or B

Single Power Entry Kit Data

SINGLE POWER ENTRY KIT	HEATER MODEL	CHECK	UNIT MODEL	MIN CKT. AMP.	MAX OVER CURRENT PROTECT DEVICE	
BAYSPEK060F	BAYHTRV105E		4TC*3018AI	27	30	
			4TC*3024AI	28	30	
			4TC*3030AI	29	35	
			4TC*3036AI	30	35	
			4TC*3042AI	29	45	
			4TC*3048AI	31	50	
			4TCY4024AI	31	35	
			4TCY4030AI	31	35	
			4TCY4036AI	31	40	
			4TCY4036BI	31	40	
			4TCY4042AI	35	50	
			4TCY4042BI	35	50	
			4TCY4048AI	35	50	
			4TCY4048BI	35	50	
			4TCY4060AI	42	60	
			2WC*3024AI	39	40	
			2WC*3030AI	43	45	
			2WC*3036AI	50	60	
			2WC*3042AI	51	60	
			2WC*3048AI	55	60	
			4WC*3018AI	37	40	
			4WC*3024AI	42	45	
			4WC*3024BI	40	40	
			4WC*3030AI	45	50	
			4WC*3036AI	52	60	
		4WCY4024AI	42	45		
		4WCY4030AI	45	50		
		4WCY4036AI	51	60		
		4WCY4036BI	51	60		
		4WCZ6036AI	52	60		
		BAYHTRV108E		4TC*3018AI	43	45
				4TC*3024AI	43	45
				4TC*3030AI	44	45
				4TC*3036AI	45	45
				4TC*3042AI	45	45
				4TC*3048AI	47	50
				4TCY4024AI	47	50
				4TCY4030AI	47	50
				4TCY4036AI	47	50
				4TCY4036BI	47	50
				4TCY4042AI	50	60
				4TCY4042BI	50	60
				4TCY4048AI	50	60
				4TCY4048BI	50	50
				4TCY4060AI	50	60
			2WC*3024AI	54	60	
			2WC*3030AI	59	60	
			4WC*3018AI	52	60	
			4WC*3024AI	58	60	
			4WC*3024BI	55	60	
		4WCY4024AI	58	60		
	BAYHTRV110E		4TC*3024AI	54	60	
			4TC*3030AI	55	60	
			4TC*3036AI	56	60	
			4TC*3042AI	55	60	
			4TC*3048AI	57	60	
			4TCY4024AI	58	60	
			4TCY4030AI	58	60	
		4TCY4036AI	58	60		
			4TCY4036BI	58	60	

INSTALLER OF THE SINGLE POWER ENTRY KIT MUST CHECK THE APPROPRIATE BOX ABOVE TO RECORD THE KIT, HEATER AND UNIT MODEL NUMBERS INSTALLED. POWER SUPPLY VOLTAGE TO UNIT AND HEATER MUST BE IDENTICAL. CHECK THE UNIT AND HEATER NAMEPLATES TO DETERMINE THE CORRECT POWER SUPPLY VOLTAGE. CHECK HEATER NAMEPLATE TO DETERMINE HEATER KW AND CURRENT RATING. MINIMUM INSTALLATION CLEARANCE TO COMBUSTIBLE MATERIAL WHEN ELECTRIC HEATERS ARE INSTALLED: UNIT CABINET-0", PLENUM-0" AND OUTLET DUCT- 0". * INDICATES AN ALPHA CHARACTER IN THE FOURTH DIGIT OF THE UNIT MODEL.

PLACE ABOVE LABEL OVER "ELECTRIC HEATER INSTALLED" NAMEPLATE ON UNIT

D932299P04

Notes:

* = C or X

‡ = A or B

Single Power Entry Kit Data

SINGLE POWER ENTRY KIT	HEATER MODEL	UNIT MODEL	MIN CKT. AMP.	MAX OVER CURRENT PROTECT DEVICE	SINGLE POWER ENTRY KIT	HEATER MODEL	UNIT MODEL	MIN CKT. AMP.	MAX OVER CURRENT PROTECT DEVICE				
BAYSPEK061E	BAYHTRV305E	4TC*3036+3	18	30	BAYSPEK061E	BAYHTRV405E	4TC*3036+4	10	15				
		4TC*3048+3	24	35			4TC*3048+4	12	15				
		4TC*3060+3	32	45			4TC*3060+4	20	25				
		4TCY4036+3	20	30			4WC*3036+4	16	20				
		4TCY4048+3	26	40			4WC*3048+4	19	25				
		4TCY4060+3	31	45			4WC*3060+4	27	30				
		4WC*3036+3	33	40			4WCZ6036+4	18	20				
		4WC*3048+3	39	50			4WCZ6048+4	23	25				
		4WC*3060+3	47	60			4WCZ6060+4	27	30				
		4WCY4036+3	35	40			BAYHTRV408E	4TC*3036+4	14	15			
		4WCY4048+3	41	50		4TC*3048+4		15	15				
		4WCY4060+3	46	60		4TC*3060+4		22	25				
		4WCZ6036+3	34	40		4WC*3036+4		21	25				
		4WCZ6048+3	40	50		4WC*3048+4		24	25				
		4WCZ6060+3	45	60		4WC*3060+4		32	35				
		4TC*3036+3	27	30		4WCZ6036+4		22	25				
		4TC*3048+3	29	35		4WCZ6048+4		27	30				
		4TC*3060+3	34	45		4WCZ6060+4		31	35				
	4TCY4036+3	29	30	BAYHTRV410E		4TC*3036+4		17	20				
	4TCY4048+3	33	40			4TC*3048+4	18	20					
	4TCY4060+3	33	45			4TC*3060+4	25	25					
	4WC*3036+3	42	45			4WC*3036+4	24	25					
	4WC*3048+3	48	50			4WC*3048+4	27	30					
	4WC*3060+3	56	60			4WC*3060+4	35	40					
	4WCY4036+3	44	50			4WCZ6036+4	25	25					
	4WCY4048+3	50	60			4WCZ6048+4	30	30					
	4WCY4060+3	55	60			4WCZ6060+4	34	40					
	4WCZ6036+3	43	45			BAYHTRV415E	4TC*3036+4	25	25				
	4WCZ6048+3	49	50	4TC*3048+4			25	25					
	4WCZ6060+3	54	60	4TC*3060+4			32	35					
	4TC*3036+3	33	35	4WC*3036+4	31		35						
	4TC*3048+3	35	35	4WC*3048+4	34		35						
	4TC*3060+3	40	45	4WC*3060+4	42		45						
	4TCY4036+3	35	35	4WCZ6036+4	33		35						
	4TCY4048+3	39	40	4WCZ6048+4	38		40						
	4TCY4060+3	39	45	4WCZ6060+4	42		45						
	4WC*3036+3	48	50	BAYHTRV420E	4TC*3048+4		33	35					
	4WC*3048+3	54	60		4TC*3060+4	40	40						
	4WCY4036+3	50	50		4WC*3048+4	42	45						
	4WCY4048+3	56	60		4WC*3060+4	50	50						
	4WCZ6036+3	49	50		4WCZ6048+4	45	45						
	4WCZ6048+3	55	60		4WCZ6060+4	49	50						
	4TC*3036+3	48	50		INSTALLER OF THE SINGLE POWER ENTRY KIT MUST CHECK THE APPROPRIATE BOX ABOVE TO RECORD THE KIT, HEATER AND UNIT MODEL NUMBERS INSTALLED. POWER SUPPLY VOLTAGE TO UNIT AND HEATER MUST BE IDENTICAL. CHECK THE UNIT AND HEATER NAMEPLATES TO DETERMINE THE CORRECT POWER SUPPLY VOLTAGE. CHECK HEATER NAMEPLATE TO DETERMINE HEATER KW AND CURRENT RATING. MINIMUM INSTALLATION CLEARANCE TO COMBUSTIBLE MATERIAL WHEN ELECTRIC HEATERS ARE INSTALLED: UNIT CABINET-0", PLENUM-0" AND OUTLET DUCT-0" EXCEPT FOR BAYHTRV415E AND BAYHTRV425E WHEN INSTALLED IN 4WCZ6060A4 UNIT ONLY. MINIMUM INSTALLATION CLEARANCE TO COMBUSTIBLE MATERIAL WHEN BAYHTRV415E AND BAYHTRV425E ARE INSTALLED IN 4WCZ6060A4 UNIT ONLY: UNIT CABINET - 1", PLENUM - 1" AND OUTLET DUCT - 1". * INDICATES AN ALPHA CHARACTER IN THE FOURTH DIGIT OF THE UNIT MODEL. D932299P02								
	4TC*3048+3	50	50										
	4TC*3060+3	55	60										
	4TCY4036+3	50	50										
	4TCY4048+3	54	60										
	4TCY4060+3	54	60										
	BAYSPEK061E	BAYHTRV308E	4TC*3036+3	27	30	BAYSPEK061E	BAYHTRV415E	4TC*3036+4	25	25			
			4TC*3048+3	29	35			4TC*3048+4	25	25			
4TC*3060+3			34	45	4TC*3060+4			32	35				
4TCY4036+3			29	30	4WC*3036+4			31	35				
4TCY4048+3			33	40	4WC*3048+4			34	35				
4TCY4060+3			33	45	4WC*3060+4			42	45				
4WC*3036+3			42	45	4WCZ6036+4			33	35				
4WC*3048+3			48	50	4WCZ6048+4			38	40				
4WC*3060+3			56	60	4WCZ6060+4			42	45				
4WCY4036+3			44	50	BAYHTRV420E			4TC*3048+4	33	35			
4WCY4048+3			50	60				4TC*3060+4	40	40			
4WCY4060+3			55	60				4WC*3048+4	42	45			
4WCZ6036+3	43		45	4WC*3060+4				50	50				
4WCZ6048+3	49		50	4WCZ6048+4				45	45				
4WCZ6060+3	54		60	4WCZ6060+4				49	50				
4TC*3036+3	33		35	INSTALLER OF THE SINGLE POWER ENTRY KIT MUST CHECK THE APPROPRIATE BOX ABOVE TO RECORD THE KIT, HEATER AND UNIT MODEL NUMBERS INSTALLED. POWER SUPPLY VOLTAGE TO UNIT AND HEATER MUST BE IDENTICAL. CHECK THE UNIT AND HEATER NAMEPLATES TO DETERMINE THE CORRECT POWER SUPPLY VOLTAGE. CHECK HEATER NAMEPLATE TO DETERMINE HEATER KW AND CURRENT RATING. MINIMUM INSTALLATION CLEARANCE TO COMBUSTIBLE MATERIAL WHEN ELECTRIC HEATERS ARE INSTALLED: UNIT CABINET-0", PLENUM-0" AND OUTLET DUCT-0" EXCEPT FOR BAYHTRV415E AND BAYHTRV425E WHEN INSTALLED IN 4WCZ6060A4 UNIT ONLY. MINIMUM INSTALLATION CLEARANCE TO COMBUSTIBLE MATERIAL WHEN BAYHTRV415E AND BAYHTRV425E ARE INSTALLED IN 4WCZ6060A4 UNIT ONLY: UNIT CABINET - 1", PLENUM - 1" AND OUTLET DUCT - 1". * INDICATES AN ALPHA CHARACTER IN THE FOURTH DIGIT OF THE UNIT MODEL. D932299P02									
4TC*3048+3	35		35										
4TC*3060+3	40		45										
4TCY4036+3	35	35											
4TCY4048+3	39	40											
4TCY4060+3	39	45											
BAYSPEK061E	BAYHTRV310E	4WC*3036+3	48	50	BAYSPEK061E	BAYHTRV420E	4TC*3048+4	33	35				
		4WC*3048+3	54	60			4TC*3060+4	40	40				
		4WCY4036+3	50	50			4WC*3048+4	42	45				
		4WCY4048+3	56	60			4WC*3060+4	50	50				
		4WCZ6036+3	49	50			4WCZ6048+4	45	45				
		4WCZ6048+3	55	60			4WCZ6060+4	49	50				
BAYSPEK061E		BAYHTRV315E	4TC*3036+3	48			50	BAYSPEK061E	BAYHTRV420E	4TC*3048+4	33	35	
			4TC*3048+3	50			50			4TC*3060+4	40	40	
			4TC*3060+3	55			60			4WC*3048+4	42	45	
			4TCY4036+3	50			50			4WC*3060+4	50	50	
			4TCY4048+3	54			60			4WCZ6048+4	45	45	
			4TCY4060+3	54			60			4WCZ6060+4	49	50	

Notes:

* = C or X

‡ = A or B

Single Power Entry Kit Data

SINGLE POWER ENTRY KIT	HEATER MODEL	CHECK	UNIT MODEL	MIN CKT. AMP.	MAX OVER CURRENT PROTECT DEVICE
BAYSPEK062F	BAYHTRV105E		4TC*3060A1	44	70
			2WC*3060A1	67	80
			4WC*3042A1	58	70
			4WC*3048A1	57	70
			4WC*3060A1	70	90
			4WCY4042A1	58	70
			4WCY4048A1	60	70
			4WCY4048B1	62	70
			4WCY4060A1	68	90
			4WCY4060B1	66	80
	BAYHTRV108E		4WCZ6048A1	60	70
			4WCZ6060A1	63	80
			4TC*3060A1	51	70
			2WC*3036A1	66	70
			2WC*3042A1	66	70
			2WC*3048A1	70	80
			2WC*3060A1	82	90
			4WC*3030A1	61	70
			4WC*3036A1	67	70
			4WC*3042A1	73	80
	BAYHTRV110E		4WC*3048A1	73	80
			4WC*3060A1	85	100
			4WCY4030A1	61	70
			4WCY4036A1	66	70
			4WCY4036B1	66	70
			4WCY4042A1	73	80
			4WCY4048A1	76	80
			4WCY4048B1	77	90
			4WCY4060A1	84	100
			4WCY4060B1	82	90
	BAYHTRV110E		4WCZ6036A1	68	70
			4WCZ6048A1	76	80
			4WCZ6060A1	79	90
			4TC*3060A1	62	70
			4TCY4042A1	61	70
			4TCY4042B1	61	70
			4TCY4048A1	61	70
			4TCY4048B1	61	70
			4TCY4060A1	61	70
			2WC*3024A1	65	70
	BAYHTRV110E		2WC*3030A1	69	70
			2WC*3036A1	76	80
			2WC*3042A1	77	80
			2WC*3048A1	81	90
			2WC*3060A1	93	100
			4WC*3024A1	68	70
			4WC*3024B1	66	70
			4WC*3030A1	71	80
			4WC*3036A1	78	80
			4WC*3042A1	84	90
	BAYHTRV110E		4WC*3048A1	83	90
			4WC*3060A1	96	110
			4WCY4024A1	68	70
			4WCY4030A1	71	80
			4WCY4036A1	77	80
			4WCY4036B1	77	80
			4WCY4042A1	84	90
			4WCY4048A1	86	90
			4WCY4048B1	88	90
			4WCY4060A1	94	110
	BAYHTRV110E		4WCY4060B1	92	100
			4WCZ6036A1	78	80
			4WCZ6048A1	86	90
			4WCZ6060A1	89	100

BAYSPEK063F	BAYHTRV115E		4TC*3030A1	81	90	
			4TC*3036A1	82	90	
			4TC*3042A1	81	90	
			4TC*3048A1	83	90	
			4TC*3060A1	88	90	
			4TCY4030A1	84	90	
			4TCY4036A1	84	90	
			4TCY4036B1	84	90	
			4TCY4042A1	87	90	
			4TCY4042B1	87	90	
	BAYHTRV120E		4TCY4048A1	87	90	
			4TCY4048B1	87	90	
			4TCY4060A1	87	90	
			2WC*3030A1	95	100	
			2WC*3036A1	102	110	
			2WC*3042A1	103	110	
			2WC*3048A1	107	110	
			2WC*3060A1	119	125	
			4WC*3030A1	97	100	
			4WC*3036A1	104	110	
	BAYHTRV310E		4WC*3042A1	110	110	
			4WC*3048A1	109	110	
			4WC*3060A1	122	125	
			4WCY4030A1	97	100	
			4WCY4036A1	103	110	
			4WCY4036B1	103	110	
			4WCY4042A1	110	110	
			4WCY4048A1	112	125	
			4WCY4048B1	114	125	
			4WCY4060A1	120	125	
	BAYHTRV315E		4WCY4060B1	118	125	
			4WCZ6036A1	104	110	
			4WCZ6048A1	112	125	
			4WCZ6060A1	115	125	
			4TC*3048A1	109	110	
			4TC*3060A1	114	125	
			4TCY4042A1	113	125	
			4TCY4042B1	113	125	
			4TCY4048A1	113	125	
			4TCY4048B1	113	125	
	BAYHTRV320E		4TCY4060A1	113	125	
			2WC*3048A1	133	150	
			2WC*3060A1	145	150	
			4WC*3042A1	136	150	
			4WC*3048A1	135	150	
			4WC*3060A1	148	150	
			4WCY4042A1	136	150	
			4WCY4048A1	138	150	
			4WCY4048B1	140	150	
			4WCY4060A1	146	150	
	BAYHTRV310E		4WCY4060B1	144	150	
			4WCZ6048A1	138	150	
			4WCZ6060A1	141	150	
			4WC*3036A3	63	70	
			4WC*3048A3	69	70	
			4WC*3060A3	77	80	
			4WCY4036A3	65	70	
			4WCY4048A3	71	80	
			4WCY4060A3	76	80	
			4WCZ6036A3	64	70	
	BAYHTRV310E		4WCZ6048A3	70	70	
			4WCZ6060A3	75	80	
			4TC*3048A3	65	70	
			4TC*3060A3	70	70	
			4TCY4048A3	69	70	
			4TCY4060A3	69	70	
			4WC*3048A3	84	90	
			4WC*3060A3	92	100	
			4WCY4048A3	86	90	
			4WCY4060A3	91	100	
	BAYSPEK065E	BAYHTRV310E		4WCZ6048A3	85	90
				4WCZ6060A3	90	90
				4WC*3060A3	62	70
				4WCY4060A3	61	70
				4WCZ6060A3	60	70

INSTALLER OF THE SINGLE POWER ENTRY KIT MUST CHECK THE APPROPRIATE BOX ABOVE TO RECORD THE KIT, HEATER AND UNIT MODEL NUMBERS INSTALLED. POWER SUPPLY VOLTAGE TO UNIT AND HEATER MUST BE IDENTICAL. CHECK THE UNIT AND HEATER NAMEPLATES TO DETERMINE THE CORRECT POWER SUPPLY VOLTAGE. CHECK HEATER NAMEPLATE TO DETERMINE HEATER KW AND CURRENT RATING. MINIMUM INSTALLATION CLEARANCE TO COMBUSTIBLE MATERIAL WHEN ELECTRIC HEATERS ARE INSTALLED: UNIT CABINET-0", PLENUM-0" AND OUTLET DUCT- 0". * INDICATES AN ALPHA CHARACTER IN THE FOURTH DIGIT OF THE UNIT MODEL.

PLACE ABOVE LABEL OVER "ELECTRIC HEATER INSTALLED" NAMEPLATE ON UNIT

D932299P05

Notes:

* = C or X

‡ = A or B

Indoor Blower Performance

Indoor Fan Performance (230v) 4TCY4024 (230vperformance)

Horizontal Airflow

4TCY4024-HOR	DIPSWITCH SETTINGS				External Static Pressure (in. wg)											
AIRFLOW SETTING	1	2	3	4		0.0	0.1	0.2	0.3	0.4	0.5	0.6	0.7	0.8	0.9	1.0
350 CFM/TON	OFF	OFF	OFF	ON	Watts	52	66	89	115	140	164	186	206	229	259	-
					CFM	706	716	727	733	731	719	700	679	662	659	-
400 CFM/TON*	OFF	OFF	OFF	OFF	Watts	72	94	120	148	177	207	233	254	267	290	-
					CFM	786	793	805	813	813	806	793	780	778	799	-
450 CFM/TON	OFF	OFF	ON	OFF	Watts	80	99	125	153	182	211	243	284	342	-	-
					CFM	860	862	877	892	903	904	897	884	869	-	-

Down Airflow

4TCY4024-DOWN	DIPSWITCH SETTINGS				External Static Pressure (in. wg)											
AIRFLOW SETTING	1	2	3	4		0.0	0.1	0.2	0.3	0.4	0.5	0.6	0.7	0.8	0.9	1.0
350 CFM/TON	OFF	OFF	OFF	ON	Watts	35	70	90	108	131	160	188	204	225	250	-
					CFM	695	729	734	728	721	715	705	679	680	685	-
400 CFM/TON*	OFF	OFF	OFF	OFF	Watts	79	87	105	129	155	180	206	232	264	306	-
					CFM	846	807	802	810	816	813	803	794	800	846	-
450 CFM/TON	OFF	OFF	ON	OFF	Watts	86	102	127	156	185	213	242	275	319	-	-
					CFM	884	870	882	899	909	907	895	886	898	-	-

Indoor Fan Performance (230v) 4TCY4030 (230vperformance)

Horizontal Airflow

4TCY4030-HOR	DIPSWITCH SETTINGS				External Static Pressure (in. wg)											
AIRFLOW SETTING	1	2	3	4		0.0	0.1	0.2	0.3	0.4	0.5	0.6	0.7	0.8	0.9	1.0
350 CFM/TON	OFF	OFF	OFF	ON	Watts	-	106	135	164	193	220	247	275	306	-	-
					CFM	-	860	887	901	907	905	899	887	870	-	-
400 CFM/TON*	OFF	OFF	OFF	OFF	Watts	-	136	172	199	226	256	288	316	329	-	-
					CFM	-	972	996	1001	1000	1000	999	988	951	-	-
450 CFM/TON	OFF	OFF	ON	OFF	Watts	-	182	218	251	283	317	351	381	-	-	-
					CFM	-	1108	1113	1119	1121	1119	1115	1119	-	-	-

Down Airflow

4TCY4030-DOWN	DIPSWITCH SETTINGS				External Static Pressure (in. wg)											
AIRFLOW SETTING	1	2	3	4		0.0	0.1	0.2	0.3	0.4	0.5	0.6	0.7	0.8	0.9	1.0
350 CFM/TON	OFF	OFF	OFF	ON	Watts	-	109	133	162	190	214	234	259	298	-	-
					CFM	-	856	867	875	876	869	855	842	838	-	-
400 CFM/TON*	OFF	OFF	OFF	OFF	Watts	-	134	174	200	222	247	276	306	328	-	-
					CFM	-	960	987	980	968	965	966	952	884	-	-
450 CFM/TON	OFF	OFF	ON	OFF	Watts	-	184	216	254	289	318	343	375	-	-	-
					CFM	-	1087	1094	1103	1107	1105	1098	1091	-	-	-

*Factory Default Setting

Indoor Blower Performance

Indoor Fan Performance (230v) 4TCY4036 (230vperformance)

Horizontal Airflow

4TCY4036-HOR	DIPSWITCH SETTINGS				External Static Pressure (in. wg)											
AIRFLOW SETTING	1	2	3	4		0.0	0.1	0.2	0.3	0.4	0.5	0.6	0.7	0.8	0.9	1.0
350 CFM/TON	OFF	OFF	OFF	ON	Watts	162	173	197	226	256	285	313	343	360	-	-
					CFM	1058	1062	1063	1063	1062	1060	1057	1053	1010	-	-
400 CFM/TON*	OFF	OFF	OFF	OFF	Watts	179	230	265	296	329	366	403	431	436	-	-
					CFM	1179	1196	1204	1206	1205	1203	1199	1194	1185	-	-
450 CFM/TON	OFF	OFF	ON	OFF	Watts	318	336	365	399	435	469	502	533	-	-	-
					CFM	1390	1376	1370	1366	1361	1354	1349	1351	-	-	-

Down Airflow

4TCY4036-DOWN	DIPSWITCH SETTINGS				External Static Pressure (in. wg)											
AIRFLOW SETTING	1	2	3	4		0.0	0.1	0.2	0.3	0.4	0.5	0.6	0.7	0.8	0.9	1.0
350 CFM/TON	OFF	OFF	OFF	ON	Watts	169	182	210	243	273	301	331	370	433	-	-
					CFM	1025	1062	1068	1063	1060	1061	1064	1055	1015	-	-
400 CFM/TON*	OFF	OFF	OFF	OFF	Watts	225	253	283	315	348	381	414	449	484	-	-
					CFM	1187	1201	1203	1201	1198	1197	1194	1184	1157	-	-
450 CFM/TON	OFF	OFF	ON	OFF	Watts	339	357	390	424	455	483	516	571	-	-	-
					CFM	1391	1377	1377	1375	1366	1352	1344	1360	-	-	-

Indoor Fan Performance (230v) 4TCY4042 (230vperformance)

Horizontal Airflow

4TCY4042-HOR	DIPSWITCH SETTINGS				External Static Pressure (in. wg)											
AIRFLOW SETTING	1	2	3	4		0.0	0.1	0.2	0.3	0.4	0.5	0.6	0.7	0.8	0.9	1.0
350 CFM/TON	OFF	OFF	OFF	ON	Watts	-	181	211	241	270	298	327	355	382	408	-
					CFM	-	1248	1250	1253	1254	1249	1240	1225	1209	1195	-
400 CFM/TON*	OFF	OFF	OFF	OFF	Watts	-	261	296	325	352	380	411	444	477	509	-
					CFM	-	1444	1448	1441	1429	1417	1407	1400	1394	1386	-
450 CFM/TON	OFF	OFF	ON	OFF	Watts	-	353	390	426	462	499	536	573	609	645	-
					CFM	-	1608	1611	1613	1613	1612	1608	1603	1597	1590	-

Down Airflow

4TCY4042-DOWN	DIPSWITCH SETTINGS				External Static Pressure (in. wg)											
AIRFLOW SETTING	1	2	3	4		0.0	0.1	0.2	0.3	0.4	0.5	0.6	0.7	0.8	0.9	1.0
350 CFM/TON	OFF	OFF	OFF	ON	Watts	-	195	229	258	283	308	335	362	390	415	-
					CFM	-	1240	1244	1245	1243	1238	1229	1217	1203	1189	-
400 CFM/TON*	OFF	OFF	OFF	OFF	Watts	-	289	312	341	371	402	432	461	491	523	-
					CFM	-	1433	1422	1415	1411	1405	1399	1392	1383	1377	-
450 CFM/TON	OFF	OFF	ON	OFF	Watts	-	385	422	457	491	527	563	600	636	670	-
					CFM	-	1604	1602	1600	1598	1596	1593	1590	1585	1578	-

*Factory Default Setting

Indoor Blower Performance

Indoor Fan Performance (230v) 4TCY4048 (230vperformance)

Horizontal Airflow

4TCY4048-HOR	DIPSWITCH SETTINGS				External Static Pressure (in. wg)												
AIRFLOW SETTING	1	2	3	4		0.0	0.1	0.2	0.3	0.4	0.5	0.6	0.7	0.8	0.9	1.0	
350 CFM/TON	OFF	OFF	OFF	ON	Watts	187	232	264	291	318	347	379	413	446	472	-	
					CFM	1355	1387	1396	1392	1382	1370	1360	1351	1341	1326	-	
400 CFM/TON*	OFF	OFF	OFF	OFF	Watts	315	324	352	389	428	464	498	529	563	606	-	
					CFM	1603	1581	1577	1580	1583	1583	1577	1567	1558	1556	-	
450 CFM/TON	OFF	OFF	ON	OFF	Watts	301	431	507	552	584	615	651	694	739	779	-	
					CFM	1752	1794	1812	1816	1812	1806	1800	1797	1793	1785	-	

Down Airflow

4TCY4048-DOWN	DIPSWITCH SETTINGS				External Static Pressure (in. wg)												
AIRFLOW SETTING	1	2	3	4		0.0	0.1	0.2	0.3	0.4	0.5	0.6	0.7	0.8	0.9	1.0	
350 CFM/TON	OFF	OFF	OFF	ON	Watts	208	254	284	312	343	379	414	437	460	490	-	
					CFM	1337	1393	1398	1388	1383	1390	1399	1384	1380	1370	-	
400 CFM/TON*	OFF	OFF	OFF	OFF	Watts	302	349	386	423	465	509	552	583	599	628	-	
					CFM	1574	1580	1585	1589	1594	1598	1601	1597	1584	1556	-	
450 CFM/TON	OFF	OFF	ON	OFF	Watts	501	523	555	592	631	672	714	760	800	845	-	
					CFM	1847	1823	1817	1818	1820	1819	1817	1820	1815	1810	-	

Indoor Fan Performance (230v) 4TCY4060 (230vperformance)

Horizontal Airflow

4TCY4060A-HOR	DIPSWITCH SETTINGS				External Static Pressure (in. wg)												
AIRFLOW SETTING	1	2	3	4		0	0.1	0.2	0.3	0.4	0.5	0.6	0.7	0.8	0.9	1	
350 CFM/TON	OFF	OFF	OFF	ON	Watts	394	427	464	504	548	591	633	668	-	-	-	
					CFM	1673	1772	1799	1793	1779	1771	1767	1756	-	-	-	
400 CFM/TON*	OFF	OFF	OFF	OFF	Watts	695	642	660	710	764	811	849	893	966	1108	-	
					CFM	2054	2036	2031	2032	2033	2031	2023	2012	2002	2000	-	

Down Airflow

4TCY4060A-DOWN	DIPSWITCH SETTINGS				External Static Pressure (in. wg)												
AIRFLOW SETTING	1	2	3	4		0	0.1	0.2	0.3	0.4	0.5	0.6	0.7	0.8	0.9	1	
350 CFM/TON	OFF	OFF	OFF	ON	Watts	443	461	493	532	571	607	642	680	-	-	-	
					CFM	1796	1741	1726	1725	1722	1712	1698	1692	-	-	-	
400 CFM/TON*	OFF	OFF	OFF	OFF	Watts	740	697	715	763	819	866	892	894	872	835	-	
					CFM	2010	1987	1979	1977	1976	1969	1950	1913	1852	1759	-	

*Factory Default Setting

Indoor Blower Performance

4TCY4024 AIRFLOW WITH AUXILIARY HEAT (CFM)

SWITCH SETTINGS		SELECTION	NOMINAL AIRFLOW
7-OFF	8-OFF	LOW	700 CFM
7-ON	8-OFF	HIGH	800 CFM
7-OFF	8-ON	HIGH	800 CFM
7-ON	8-ON	HIGH	800 CFM

4TCY4030 AIRFLOW WITH AUXILIARY HEAT (CFM)

SWITCH SETTINGS		SELECTION	NOMINAL AIRFLOW
7-OFF	8-OFF	LOW	1050 CFM
7-ON	8-OFF	HIGH	1200 CFM
7-OFF	8-ON	HIGH	1200 CFM
7-ON	8-ON	HIGH	1200 CFM

4TCY4036 AIRFLOW WITH AUXILIARY HEAT (CFM)

SWITCH SETTINGS		SELECTION	NOMINAL AIRFLOW
7-OFF	8-OFF	LOW	1050 CFM
7-ON	8-OFF	HIGH	1200 CFM
7-OFF	8-ON	HIGH	1200 CFM
7-ON	8-ON	HIGH	1200 CFM

4TCY4042 AIRFLOW WITH AUXILIARY HEAT (CFM)

SWITCH SETTINGS		SELECTION	NOMINAL AIRFLOW
7-OFF	8-OFF	LOW	1400 CFM
7-ON	8-OFF	HIGH	1600 CFM
7-OFF	8-ON	HIGH	1600 CFM
7-ON	8-ON	HIGH	1600 CFM

4TCY4048 AIRFLOW WITH AUXILIARY HEAT (CFM)

SWITCH SETTINGS		SELECTION	NOMINAL AIRFLOW
7-OFF	8-OFF	LOW	1400 CFM
7-ON	8-OFF	HIGH	1600 CFM
7-OFF	8-ON	HIGH	1600 CFM
7-ON	8-ON	HIGH	1600 CFM

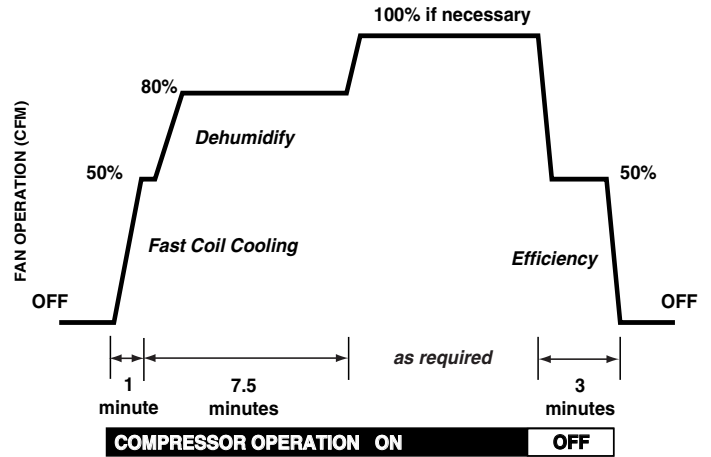
4TCY4060 AIRFLOW WITH AUXILIARY HEAT (CFM)

Switch Setting	Selection	Normal Airflow
7-OFF	8-OFF	LOW 1750 CFM
7-ON	8-OFF	HIGH 2000 CFM
7-OFF	8-ON	HIGH 2000 CFM
7-ON	8-ON	HIGH 2000 CFM

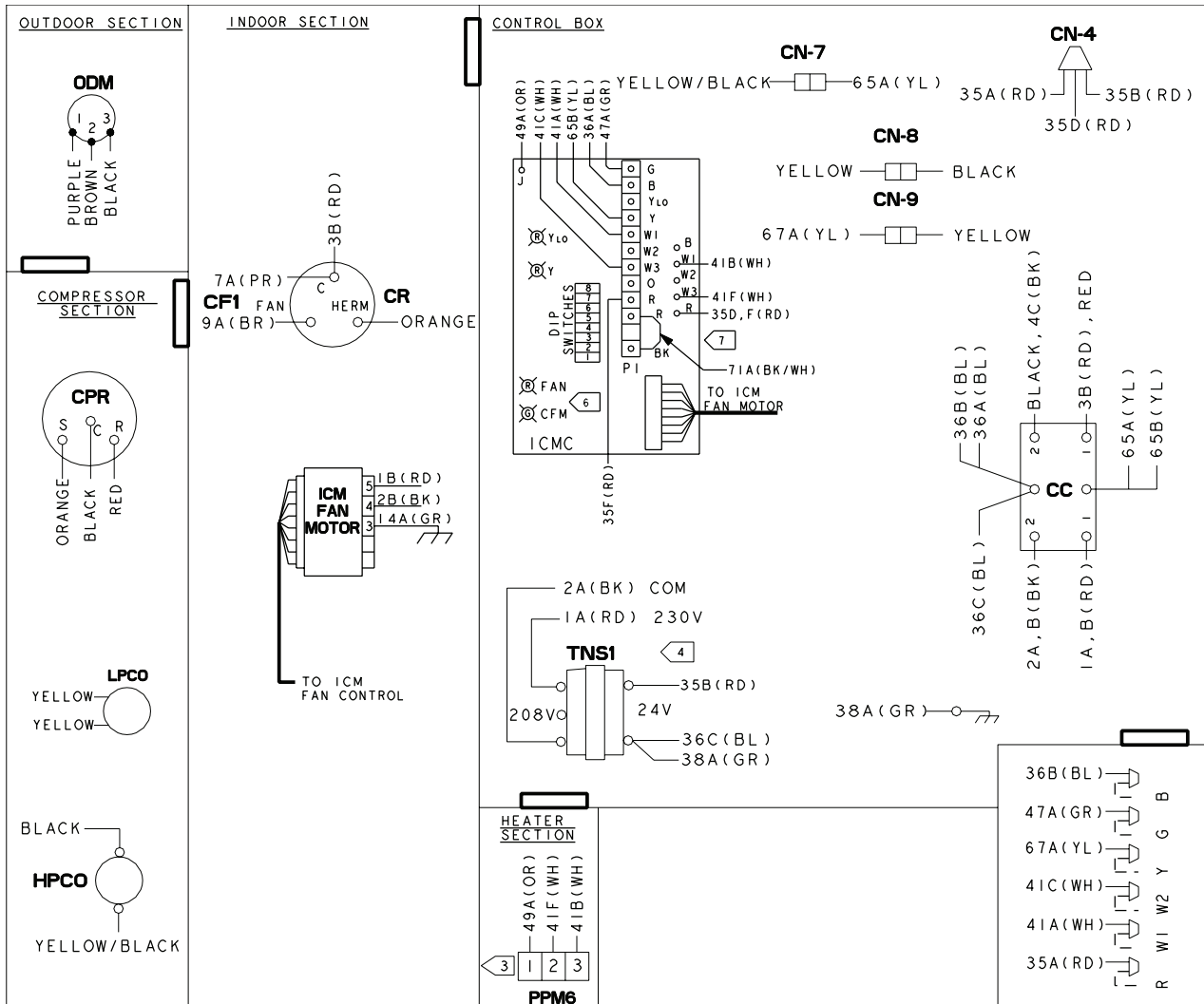
COOLING FAN DELAY OPTIONS

SWITCH SETTINGS		DELAY	NOMINAL AIRFLOW
5-OFF	6-OFF	NONE	100%
5-ON	6-OFF	45 SEC	100%
5-OFF	6-ON	90 SEC	50%
5-ON	6-ON	**	50-100%

** This ENHANCED MODE selection provides a ramping up and ramping down of the indoor blower speed to provide improved comfort, quietness, and potential energy savings. The Graph below shows the ramping process



Typical Wiring



NOTES:

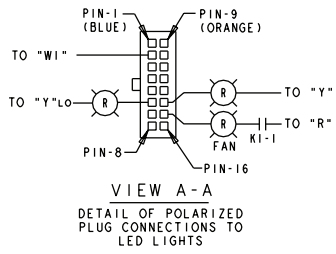
- 1 CONNECTIONS SHOWN ARE FOR A TYPICAL THERMOSTAT. SEE SCHEMATIC SUPPLIED WITH THERMOSTAT FOR PROPER CONNECTIONS. LOW VOLTAGE WIRING TO UNIT MAY BE NEC CLASS 2 AND MUST BE A MIN. OF 18 A.W.G.
2. MAXIMUM ADDITIONAL EXTERNAL LOAD (PILOT DUTY) BETWEEN "B" AND "R" OF 0.5 AMPS, 24 VAC IS AVAILABLE WHEN A HEATER IS INSTALLED.
- 3 SEE WIRING DIAGRAM WITH HEATER FOR DETAILS OF HEATER WIRING
- 4 FOR 208 VOLT OPERATION MAKE THE FOLLOWING WIRING CHANGES:
A: REMOVE 1A(RD) WIRE FROM TNS1 AND CONNECT TO TNS1 AT 208V TERMINAL.
5. IF ANY OF THE ORIGINAL WIRE AS SUPPLIED IN THIS UNIT MUST BE REPLACED, REPLACE IT WITH APPLIANCE WIRING MATERIAL RATED AT 105° C.
- 6 THE GREEN LED ON THE ICMC BOARD FLASHES ONCE PER HUNDRED CFM.
- 7 IF OPTIONAL HUMIDISTAT ACCESSORY IS USED, ON THE ICMC BOARD CUT THE 71A(BK/WH) JUMPER AND CONNECT THE HUMIDISTAT BETWEEN TERMINALS.

WIRE COLOR	DESIGNATION
ABBR	COLOR
BK	BLACK
BL	BLUE
BR	BROWN
GR	GREEN
OR	ORANGE
PR	PURPLE
RD	RED
WH	WHITE
YL	YELLOW

ICMC DIP SWITCH SETTINGS

DIP SWITCH SETTINGS	COOLING/HEAT PUMP CFM	NOMINAL AIRFLOW
SW 1 SW 2 SW 3 SW 4	OFF OFF OFF ON	350 CFM/TON
OFF OFF OFF OFF	400 CFM/TON	**
OFF OFF ON OFF	450 CFM/TON	
ON ON OFF OFF	RATED CFM/TON	
FAN OFF-DELAY OPTIONS		
SW 5 SW 6	OFF OFF	NONE
ON OFF	45 SECONDS	100% NOMINAL**
OFF ON	90 SECONDS	50% NOMINAL
ON ON	ENHANCED	ENHANCED
ELECTRIC HEAT AIRFLOW		
SW 7 SW 8	OFF OFF	350 CFM/TON
ON OFF	400 CFM/TON	**

** FACTORY SETTING.
AT CONTINUOUS FAN SETTING ("G" ONLY) AIRFLOW VALUES ARE APPROXIMATELY 50% OF LISTED VALUE. THE HEAT PUMP FAN OFF-DELAY IS THE SAME AS THE COOLING MODE.



DEVICE	DESCRIPTION	LINE
AH, BH	CONTACTOR, ELECTRIC HEAT	39, 40
CC	COMPRESSOR CONTACTOR COIL	43
CF1	OUTDOOR FAN CAPACITOR	19
CF2	INDOOR MOTOR CAPACITOR	26
CN	CONNECTOR OR WIRE NUT	
CPR	COMPRESSOR	18
CR	COMPRESSOR RUN CAPACITOR	19
FDR	INDOOR FAN DELAY RELAY	44
FTB	FAN TERMINAL BLOCK	28, 29
IDM	INDOOR FAN MOTOR	28
IOL	INTERNAL OVERLOAD	
ODM	OUTDOOR FAN MOTOR	22
PCD	PRINTED CIRCUIT BOARD	45-47
PPM6	HEATER PLUG (FEMALE)	39, 40
TNS1	CONTROL POWER TRANSFORMER	34
HPCO	HIGH PRESSURE SWITCH	43
LPCO	LOW PRESSURE SWITCH	43

Typical Wiring

1 CAUTION-NOT SUITABLE FOR USE ON SYSTEMS EXCEEDING 150 VOLTS TO GROUND.
 2 ATTENTION: NE CONVIENT PAS POUR LES INSTALLATIONS DE PLUS DE 150V. A TERRE.
 3

4
 5
 6 UNIT FACTORY WIRED FOR 230V
 7 SEE WIRING DIAGRAM NOTES FOR REQUIRED WIRING CHANGES WHEN INSTALLED ON A 208V POWER SUPPLY.
 8

9
 10 POWER SUPPLY PER LOCAL CODES SEE NAMEPLATE FOR LINE VOLTAGE.
 11

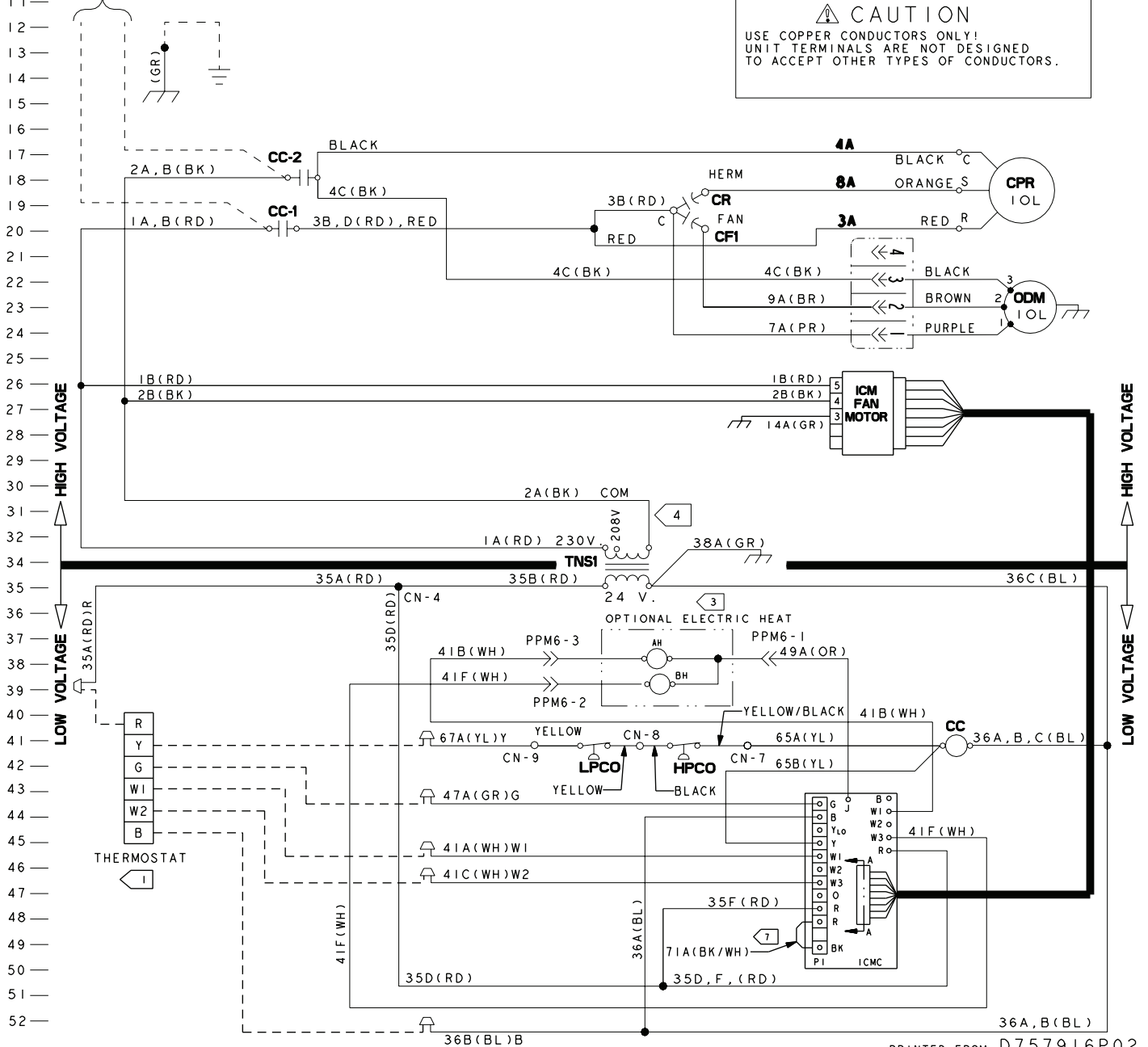
MODELS

4TCY4036B1

WARNING
 HAZARDOUS VOLTAGE!
 DISCONNECT ALL ELECTRIC POWER INCLUDING REMOTE DISCONNECTS BEFORE SERVICING.
 FAILURE TO DISCONNECT POWER SUPPLY BEFORE SERVICING CAN CAUSE SEVERE PERSONAL INJURY OR DEATH.

AVERTISSEMENT
 VOLTAGE HASARDEUX!
 DECONNECTEZ TOUTES LES SOURCES ELECTRIQUES INCLUANT LES DISJONCTEURS SITES A DISTANCE AVANT D'EFFECTUER L'ENTRETIEN. FAUTE DE DECONNECTER LA SOURCE ELECTRIQUE AVANT D'EFFECTUER L'ENTRETIEN PEUT ENTRAINDER DES BLESSURES CORPORELLES SEVERES OU LA MORT.

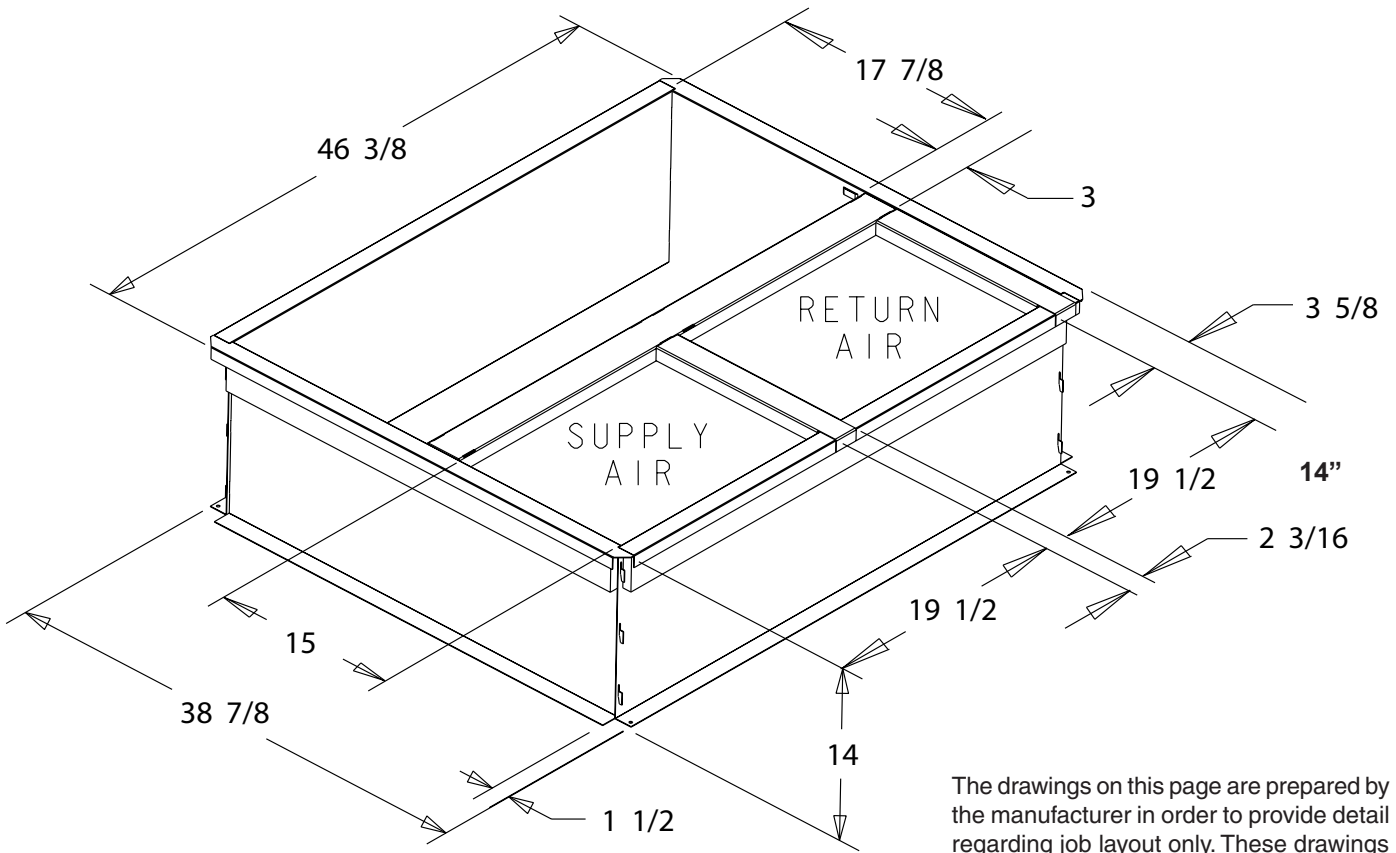
CAUTION
 USE COPPER CONDUCTORS ONLY!
 UNIT TERMINALS ARE NOT DESIGNED TO ACCEPT OTHER TYPES OF CONDUCTORS.



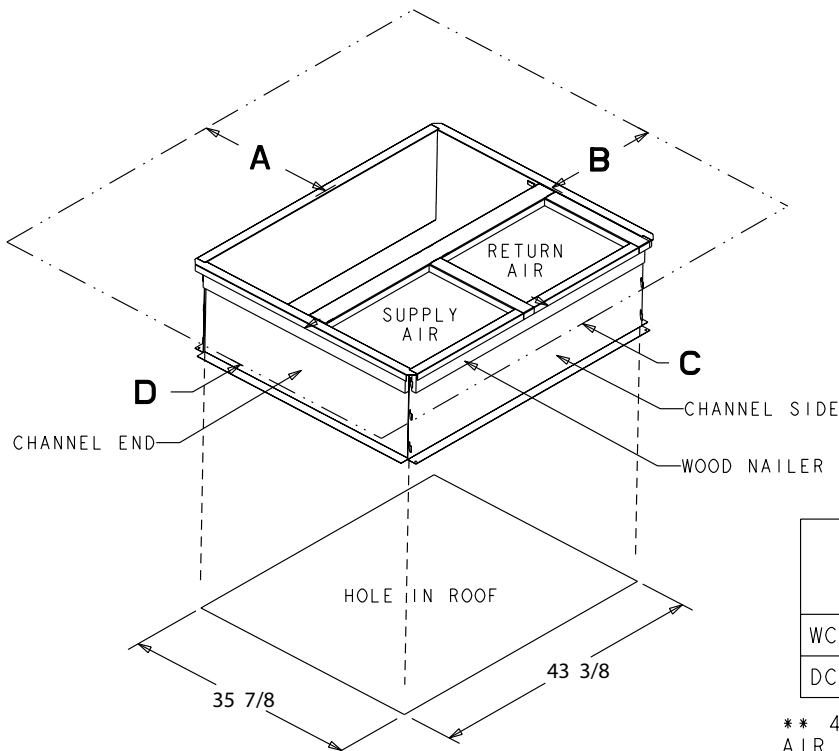
PRINTED FROM D757916P02

Optional Equipment

BAYCURB050A FULL PERIMETER ROOF MOUNTING CURB FOR *****024-036



The drawings on this page are prepared by the manufacturer in order to provide detail regarding job layout only. These drawings are not intended to be used as a basis to construct, build or modify the items depicted in the drawings. The manufacturer is not responsible for the unauthorized use of these drawings and expressly disclaims any liability for damages resulting from such unauthorized use.

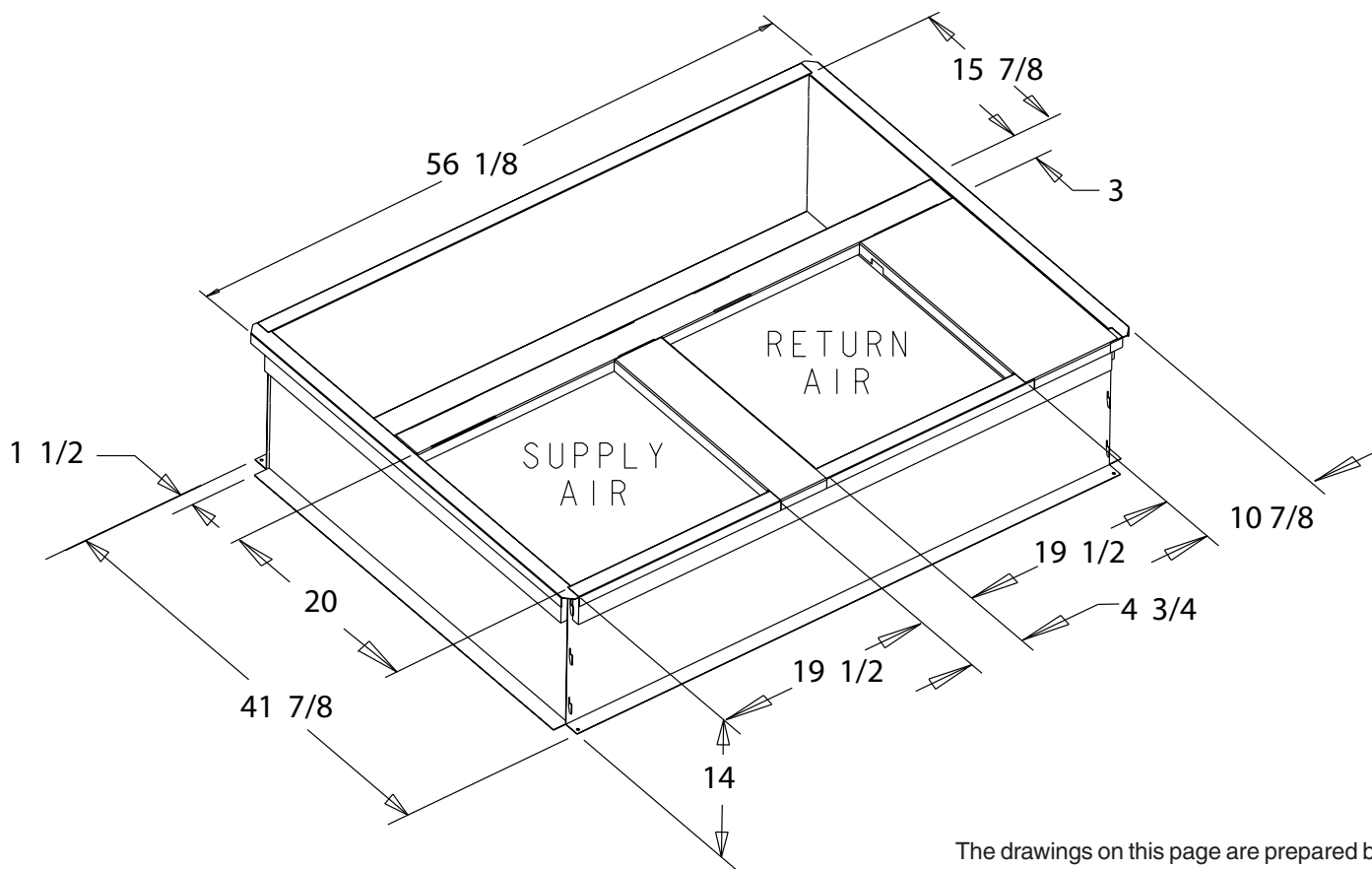


	SERVICE CLEARANCE DIMENSIONS			
	A	B	C	D
WC*/TC*	42.00	36.00	12.00**	24.00
DC*/YC*	42.00	36.00	12.00**	36.00

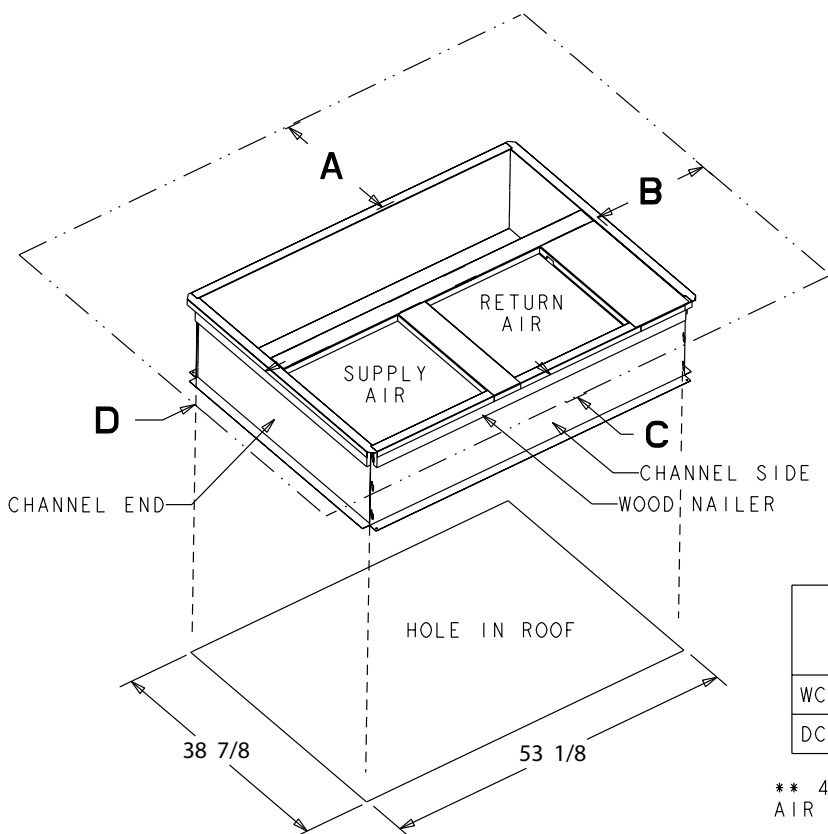
** 42.00 WITH ECONOMIZER WITH 25% FRESH AIR ACCESSORY

Optional Equipment

BAYCURB051A Full Perimeter Roof Mounting Curb for *****042-060



The drawings on this page are prepared by the manufacturer in order to provide detail regarding job layout only. These drawings are not intended to be used as a basis to construct, build or modify the items depicted in the drawings. The manufacturer is not responsible for the unauthorized use of these drawings and expressly disclaims any liability for damages resulting from such unauthorized use.

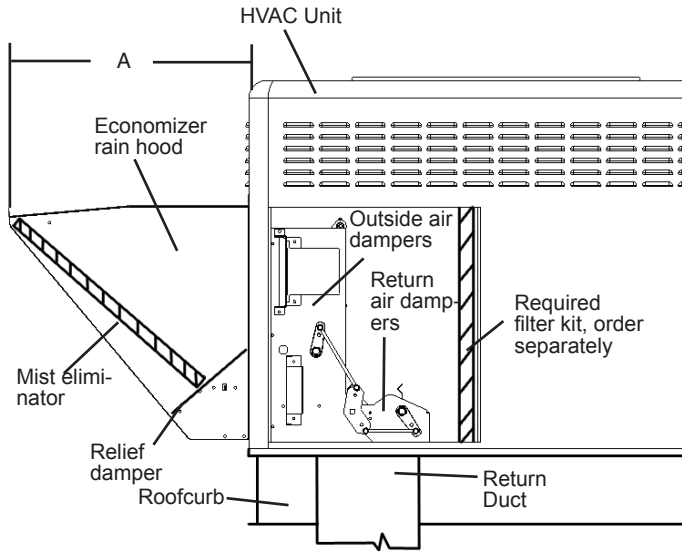


	SERVICE CLEARANCE DIMENSIONS			
	A	B	C	D
WC*/TC*	42.00	36.00	12.00**	24.00
DC*/YC*	42.00	36.00	12.00**	36.00

** 42.00 WITH ECONOMIZER WITH 25% FRESH AIR ACCESSORY

Optional Equipment

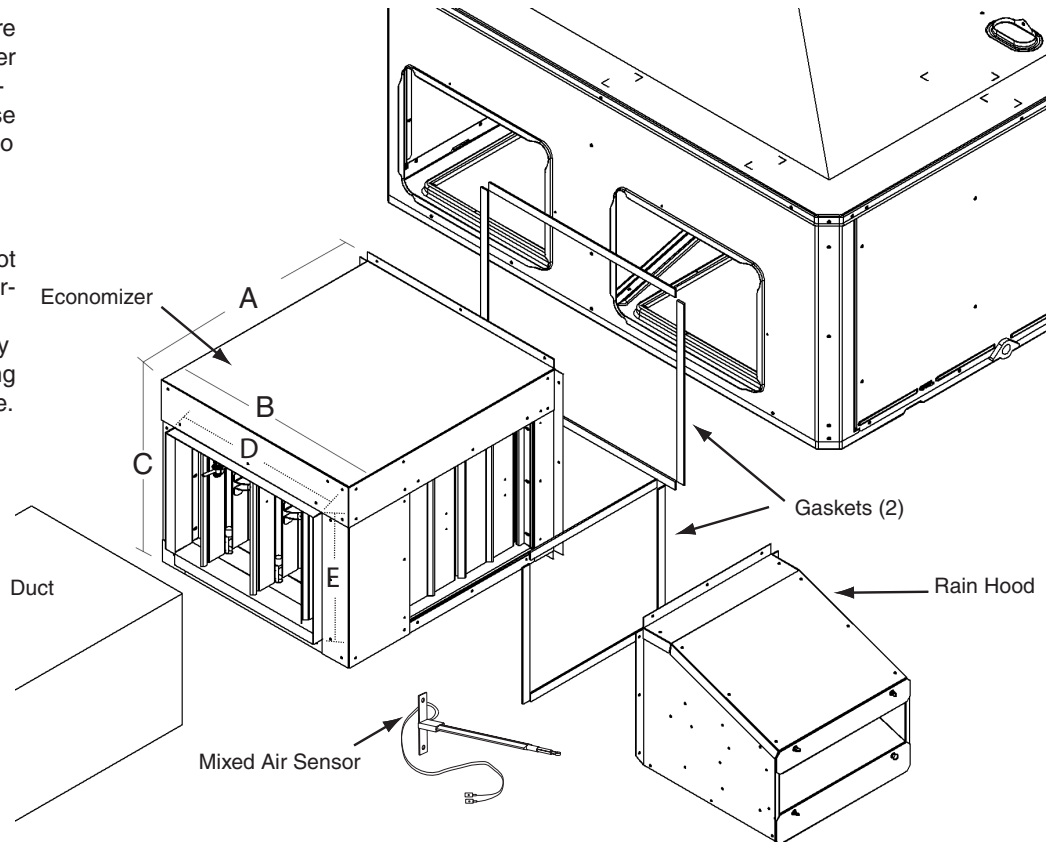
BAYECON101,102A Down Discharge Economizer and Rain Hood (Mounts Over Horizontal Return Air Opening)



Economizer	Unit Application Models	A
BAYECON101A	4TC*,WC*,YC*,DC*	20.125"
	*018-036	
BAYECON102A	4TC*,WC*,YC*,DC*	24.375"
	*042-060	

BAYECON200,201A Horizontal Economizer and Rain Hood

The drawings on this page are prepared by the manufacturer in order to provide detail regarding job layout only. These drawings are not intended to be used as a basis to construct, build or modify the items depicted in the drawings. The manufacturer is not responsible for the unauthorized use of these drawings and expressly disclaims any liability for damages resulting from such unauthorized use.



Economizer	A	B	C	D	E	F
BAYECON200AA	22"	20"	16-7/8"	15-11/16"	11-11/16"	15"
BAYECON201AA	26"	22-21/32"	19"	17-11/16"	14-11/16"	21-3/8"